

Water Regulators, Backflow Preventers, & Meters

est. 1947

DUFF^{CO.}

When you need it now... or don't know how

PLUMBING & HEATING • PUMPS • WATER CONDITIONING
MULTIFAMILY HOUSING SUPPLIES



CATALOG

610.275.4453

duffcompany.com

REGULATORS

EB-45 Pressure Regulating Valve

The EB-45 is intended for use where supply line pressure does not exceed 400 psi. The standard setting is 45 psi. The outlet pressure can be adjusted from 10-70 psi without changing the spring. This regulator is suited for either cold or hot (to 180°F) water service. Standard connection is threaded.

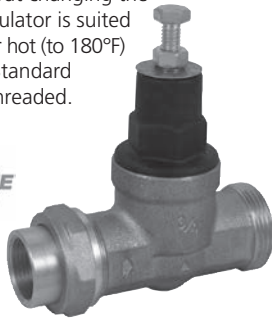


FIG. NO.	SIZE	
44099	1/2"	Other connection options available
44098	3/4"	
44856	1"	

Watts 25AUB

This series is suitable for water supply pressures up to 300 psi and may be adjusted from 25-75 psi. The standard setting is 50 psi. The standard bypass feature permits flow of water back through the valve into the main when pressures, due to thermal expansion on the outlet side of the valve, exceed the pressure in the main supply. This regulator is suited for either cold or hot (to 160°F) water service. Standard connection is FPT union inlet x FPT outlet.



FIG. NO.	SIZE	
264776	1/2"	Other connection options available
131628	3/4"	
264774	1"	
264775	1-1/4"	

Cash Acme 25U

The EB-25 is lead free and intended for use where supply line pressure does not exceed 300 psi. These standard setting is 45 psi. The outlet pressure can be adjusted from 20-90 psi without changing the spring. The EB-25 is suited for either cold or hot (to 180°F) water service. Standard connection is sweat union inlet x FIP outlet.

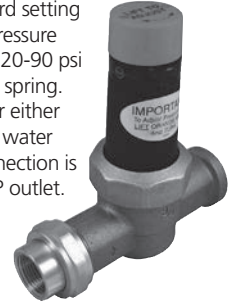


FIG. NO.	SIZE
214560	1/2"
214561	3/4"
—	1"
—	1-1/4"
118798	1-1/2"
118799	2"

Watts U5B

This series is suitable for water supply pressures up to 300 psi and may be adjusted from 25-75 psi (10-35 psi for low pressure series). The standard setting is 50 psi. This regulator is suited for either cold or hot (to 160°F) water service. Standard connection is FPT union inlet x FPT outlet.

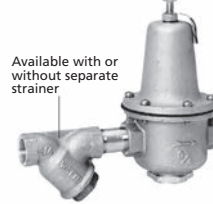


Call Duff for available repair kits!

FIG. NO. STD (25-75 PSI)	FIG. NO. LP (10-35 PSI)	SIZE
3584	3664	1/2"
4109	3671	3/4"
3595	3676	1"
3651	--	1-1/4"
3655	--	1-1/2"
3661	--	2"

Watts 223

This series is suitable for water supply pressures up to 300 psi and may be adjusted from 25-75 psi. The standard setting is 50psi. Features an enlarged diaphragm, spring cage and seat orifice for high capacity performance. This regulator is suited for either cold or hot (to 160°F) water service.



Available with or without separate strainer

FIG. NO.	SIZE
33112	1/2"
33113	3/4"
33114	1"
33115	1-1/4"
33116	1-1/2"
33117	2"
33120	2-1/2"
33122	3" (Flanged)

Watts P60 Miniature Plastic

These are ideal for are ideal for applications where a small economical package is required, such as on water fountains. This series is also suitable for deionized water, and supply pressures up to 300 psi. They are suited for either cold or hot (to 140°F) water service.



FIG. NO.	SIZE	PRESSURE RANGE (PSI)
45053	1/4"	0-125
140127	1/4"	0-25

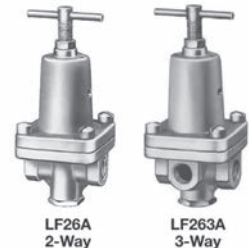


Watts 26A, 263A

These small, general purpose pressure regulators are ideal for use in beverage dispensers, ice cube machines and other similar applications. This series is suitable for water supply pressures up to 300 psi and may be adjusted from. They are suited for either cold or hot (to 140°F) water service.

Call Duff for replacement cartridge kits!

FIG. NO.	SIZE	PRESSURE RANGE (PSI)
3705	1/4"	3-50
76760	1/4"	10-125
76761	3/8"	1-25
3709	3/8"	3-50
76763	3/8"	10-125
76765	1/2"	1-25
3712	1/2"	3-50
76764	1/2"	10-125
217074	1/2" (3-WAY)	20-175



LF26A 2-Way

LF263A 3-Way

Duff offers pilot-operated control valves from Flomatic, Watts, ClaVal, Wilkins.

These valves automatically reduce higher inlet pressure to a steady lower downstream pressure, regardless of changing flow rate and/or varying inlet pressure. They provide an accurate, pilot-operated regulator capable of holding downstream pressure to a pre-determined limit. When downstream pressure exceeds the pressure setting of the control pilot, the main valve and pilot valve close drip-tight. Available in straight and 90-degree patterns.



DUFF CO. REGULATORS-BACKFLOW PREVENTERS-METERS

FOUR BASIC TYPES OF BACKFLOW PREVENTERS

	TYPE & PURPOSE	DESCRIPTION	INSTALLED AT	EXAMPLES
1	REDUCED PRESSURE ZONE BACKFLOW PREVENTER For high hazard cross connections and continuous pressure application.	Two independent check valves with intermediate relief valve. Supplied with shut-off valves and ball type test cocks.	All cross-connections subject to backpressure or back siphonage where there is a high potential health contamination. continuous pressure.	Main supply lines Commercial boilers Hospital Equip Lab equipment Waste digesters Car washes
	REDUCED PRESSURE DETECTOR ASSY High hazard.	RPZ valve backflow preventers with a water meter and RPZ in by pass line.	Fire protection system supply main. Detects leaks and unauthorized use of water.	Fire Sprinkler Lines
2	DOUBLE CHECK VALVE ASSEMBLY For low hazard cross connections and continuous pressure applications.	Two independent check valves. Checks are replaceable for repair & testing.	All cross-connections subject to backpressure or back siphonage where there is a low potential health contamination. Continuous pressure.	Main supply lines Food cookers Tanks & vats Lawn sprinklers Fire sprinkler lines Commercial pools
	DOUBLE CHECK DETECTOR ASSY Low hazard	Double check valve backflow preventers with a water meter and double check in by pass line.	Fire protection system supply main. Detects leaks and unauthorized use of water.	Fire sprinkler lines
	DUAL CHECK VALVE BACKFLOW PREVENTER For low hazard cross-connections. Continuous pressure applications.	Two independent check valves. Checks are replaceable for repair & testing.	Cross connections where there is a low potential health hazard and moderate flow requirements.	Res supply lines (at the meter) Residential fire sprinkler systems
3	SPECIALTY BACKFLOW PREVENTERS with INTERMEDIATE ATMOSPHERIC VENT For low hazard cross-connections in small pipe sizes. Continuous pressure app.	Two independent check valves with intermediate vacuum breaker and relief vent.	Cross connections subject to backpressure or backsiphonage where there is low health hazard. Continuous pressure. Pressure outlet to prevent backflow of carbon dioxide gas and carbonated water into the water supply system to beverage machines.	Boilers (small) Cooling towers (small) Dairy equipment Post-mix carbonated beverage machine
	LABORATORY FAUCET DUAL CHECK VALVE WITH INTERMEDIATE VACUUM BREAKER In small pipe sizes for low hazard.	Two independent check valves with intermediate vacuum breaker and relief vent.	Cross connection subject to backpressure or back siphonage where there is a health hazard.	Lab faucets and pipe lines Barber shop and Beauty parlor sinks
	ATMOSPHERIC VACUUM BREAKERS For high hazard cross-connections not subject to continuous pressure - 6" above flood rim.	Single float and disc with large atmospheric port	Cross connection not subject to backpressure or continuous pressure. Install at least 6" above fixture rim. Protection against back siphonage only.	Process tanks dishwashers Soap dispensers Washing machines Lawn sprinklers
4	PRESSURE VACUUM BREAKERS For high hazard cross-connections. Continuous pressure applications - 12" above flood rim.	Spring loaded single float and disc with independent 1st check. Supplied with shutoff valves and ball type test cocks.	Valve is designed for installation in a continuous pressure potable water supply system 12" above the overflow level of the system being supplied. Protection against backsiphonage only.	Lab equipment Cooling towers Comm laundry Mach Swimming pools Chemical planting tanks Lawn sprinklers
	ANTI-SIPHON, ANTI-SPILL VACUUM BREAKER 1" above flood rim factory installed 6" above flood rim field installed	Anti spill vacuum breaker with modular check & float assembly of thermo plastic. Housing bronze body.	Indoor point of use.	Chemical Dispenser Commercial dishwasher Sterilizers
	HOSE CONNECTION VACUUM BREAKERS For res. and industrial hose supply outlets not subject to continuous pressure.	Single check with atmospheric vacuum breakers vent.	Install directly on hose bibbs, service sinks and wall hydrants. Not for continuous pressure.	Hose bibbs Service sinks Hydrants

REGULATORS-BACKFLOW PREVENTERS-METERS DUFF CO.

	USC APPROVALS		AVAILABLE PRODUCT SIZES (INCHES)
	SERIES	SIZE (INCHES)	
1	009	1/4-3	1/4-3
	909	3/4-10	3/4-10
	909RPDA	2 1/2 - 10	2 1/2-10
	993	-	4
	993RPDA	1/2-3	4
2	007	2 1/2 - 10	1/2-3
	709	-	2 1/2-10
	773	2-3	4
	007DCDA	3-10	2-3
	709DCDA	-	3-10
	773DCDA	-	4
3	7	-	1/2-1 1/4
	7B	-	3/4
	A7	-	5/8-3/4
	L7	-	3/4-1
	07S	-	1
	7C	-	3/8
	4	9DM3/M2, 911	-
98D		-	3/8FCT
NLF9		-	1/4, 3/8 NPTM
N9-CD		-	3/8
N9		-	3/4
288A/289		3/4-3	1/4, 3/8
N388		-	1/4-3/8
188A		-	3/4-2
800MQT		1/2, 3/4	1/2,3/4
800M4QT		1/2 - 2	1/2-2
008QT		-	3/8, 1/2, 3/4, 1
SBC, 8, NF8, HB-1		-	3/8,1/2, 3/4 HT
FHB		-	1/2, 3/4
TWS		-	3/4, 1
07F		-	4-10

**REDUCED PRESSURE DETECTOR ASSEMBLIES
REDUCED PRESSURE ZONE BACKFLOW PREVENTERS**



DOUBLE CHECK VALVE ASSEMBLIES



DOUBLE CHECK DETECTOR ASSEMBLIES

Series 709DCDA



DUAL CHECK VALVE BACKFLOW PREVENTERS

Series 7



Series 07S

**SPECIALTY BACKFLOW PREVENTERS
with INTERMEDIATE ATMOSPHERIC VENT**



ATMOSPHERIC VACUUM BREAKERS



Series 289

PRESSURE VACUUM BREAKERS

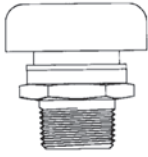


Series 800M4QT

HOSE CONNECTION VACUUM BREAKERS



DUFF CO. REGULATORS-BACKFLOW PREVENTERS-METERS



WATTS N36 - Vacuum relief valve for water service. Automatically vents a system if vacuum occurs. Opens at less than 1/2" vacuum. Automatic venting of a closed system to atmosphere when a vacuum is created, thereby, permitting air to enter and prevent vacuum conditions which could siphon the water from the system and burn out a heater or collapse a tank. Also suitable for steam service.

Max pressure 15 psi.

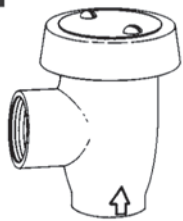
SIZE	WEIGHT	FIG. NO.	PRICE
1/2"	3/8 lb	45181	
3/4"	3/4 lb	45182	



WATTS NF8 - Especially made for wall and yard hydrants. Permits manual draining for freezing conditions.

FIG. NO.	PRICE
8683	

ANTI-SIPHON VACUUM BREAKERS



WATTS 288A ANTI-SIPHON VACUUM BREAKERS for hot or cold water. For health hazard cross connections not subject to continuous pressure - install 6" above highest downstream point of water. Designed to prevent

back-siphonage of contaminated water into a potable water supply. Max temperature 160°F at 125 lbs. working pressure. **NOT A BACKFLOW PREVENTER.**

SIZE	FIG. NO.	
	CHROME	ROUGH BRASS
1/4"	—	3659
3/8"	3671	8660
1/2"	8672	8661
3/4"	8673	8662
1"	—	8664
1 1/4"	—	—
1 1/2"	—	8665

Call For Other Available Sizes — 610-275-4453



SIZE	FIG. NO.	PRICE
1/2"	48538	
3/4"	8717	
1"	8720	

WATTS 7 - Dual check backflow preventer for water supply service or individual outlets. For non-health hazard continuous pressure applications - Residential system containment. For installation immediately downstream from residential water meters. Horizontal or vertical installation with union end.

WATTS BACKFLOW PREVENTERS HOSE CONNECTORS

WATTS 8 A- Hose connection vacuum breakers for back-siphonage protection. For potable hoses attached to hose thread faucets. Prevent the flow of contaminated water back into the portable water supply. Furnished with with feature that allows sill cock to be drained — this feature is **NON-REMOVABLE.**



FIG. NO.	PRICE
8678	

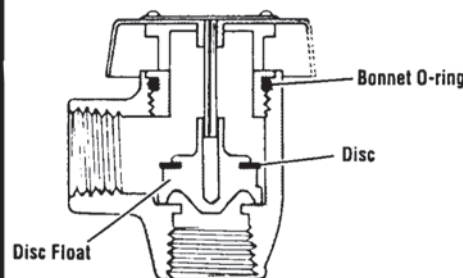


WATTS 9D - Backflow preventer with intermediate atmospheric vent.

For use on hot or cold water and can be used under continuous pressure. For laboratory/dairy equipment, processing tanks, sterilizers, and low hazard applications. For boiler feed lines to prevent backflow when supply pressure falls below system pressure. Female union inlet and outlet connections. May be installed either horizontally or vertically.

SIZE	FIG. NO.	PRICE
1/2	8711	
3/4	8714	

SERIES 288A REPAIR KITS



SIZE	FIG. NO.	PRICE
1/4-3/8	5761	
1/2	57643	
3/4-1	61193	
1-1/4	5764	



WATTS N9 - Backflow preventer with atmospheric vent for exposed service-able installations for in-line continuous pressure applications.

Double check design providing dependable protection against both back-siphonage and backflow. All brass construction.

SIZE	FIG. NO.	PRICE
1/4"	8700	
3/8"	8701	



WATTS 9BD - Backflow preventer for vending machine water supply lines. Prevent backflow of carbon dioxide gas and carbonated water into the water supply system. Stainless steel body and internal parts comply with FDA food additive regulations. 3/8" flare.

FIG. NO.	PRICE
8708	



WATTS 800M4QT - Anti-siphon pressure vacuum breaker. For health hazard cross connections, continuous pressure applications - install 12" above highest downstream point of water. This valve is designed to prevent back-siphonage of contaminated water into a potable water supply. It is ideal for continuous systems or other continuous pressure piping systems. Working temp 33oF to 140oF - Max pressure 150 psi. Replaceable plastic seat, bronze body and accessory construction, easy in-line maintenance, serves as both anti-siphon and check

valve, ball valve test cocks for trouble-free operation.

SIZE	FIG. NO.	PRICE
3/4"	8653	
1"	8654	

BACKFLOW PREVENTERS

WATTS 007

The 007 series double check valve assemblies prevent the backflow of contaminated water into the potable water supply. Ideal at referenced cross-connections identified as non-health hazard applications. Check with local inspection authorities for installation requirements. Maximum Working Pressure: 175 psi. Maximum Temperature: 180 F. Cast bronze (1/2" - 2"), epoxy coated cast iron (2-1/2" - 3"). Other valve options available.

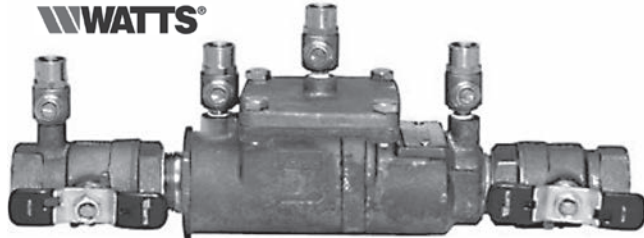


Fig.	Size IPS
LF007QT	1/2"
LF007M3QT	3/4"
LF007M1QT	1"
LF007M2QT	1-1/4"
LF007M2QT	1-1/2"
LF007M1QT	2"
LF007-NRS (Flanged)	2-1/2"
LF007-NRS (Flanged)	3"

WATTS 709

The 709 series double check valve assemblies prevent the reverse flow of polluted water from entering into the potable water system. This series can be applied, where approved by the local authority having jurisdiction, on non-health hazard installations. Maximum Working Pressure: 175 psi. Maximum Temperature: 110°F continuous, 140°F intermittent. Epoxy-coated cast iron. Other valve options available.

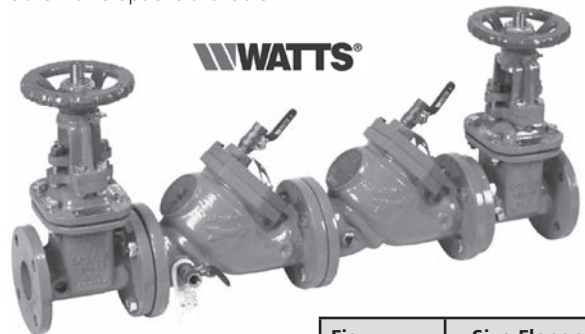


Fig.	Size Flanged
LF709	2-1/2"
LF709	3"
LF709	4"
LF709	6"
LF709	8"
LF709	10"

ASK ABOUT PRESS CONNECTIONS ON BACKFLOW PREVENTERS!

WATTS 009 REDUCED PRESSURE ZONE

The 009 series reduced pressure zone assemblies prevent the reverse low of polluted water from entering into the potable water supply due to backsiphonage and or backpressure. Ideal for protection of health hazard cross-connections or for containment at the service line entrance. Maximum Working Pressure: 175psi. Maximum Temperature: 180°F (1/4" - 2"), 110°F continuous, 140°F intermittent (2-1/2" - 3"). Cast bronze (1/4" - 2"), epoxy coated cast iron (2-1/2" - 3"). Other valve options available.

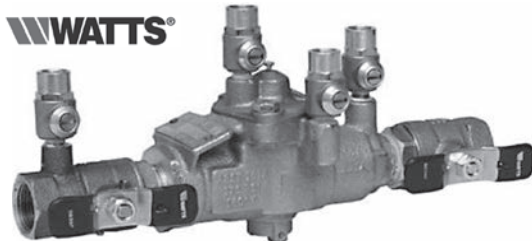


Fig.	Size IPS
LF009QT	1/4"
LF009QT	3/8"
LF009QT	1/2"
LF009M3QT	3/4"
LF009M2QT	1"
LF009M2QT	1-1/4"
LF009M2QT	1-1/2"
LF009M2QT	2"
LF009 (Flanged)	2-1/2"
LF009 (Flanged)	3"



WATTS 909 REDUCED PRESSURE ZONE

The 909 series reduced pressure zone assemblies prevent the reverse low of polluted water from entering into the potable water supply due to backsiphonage and or backpressure. Features a "air-in/water-out" design principle for protection during emergency combined backsiphonage and backpressure conditions. Ideal for health hazard cross-connections or for containment at the service line entrance. Maximum Working Pressure: 175 psi. Maximum Temperature: 140°F continuous, 180°F intermittent (3/4" - 2"), 110°F continuous, 140°F intermittent (2-1/2" - 10"). Cast bronze (3/4" - 2"), epoxy coated cast iron (2-1/2" - 10"). Other valve options available.

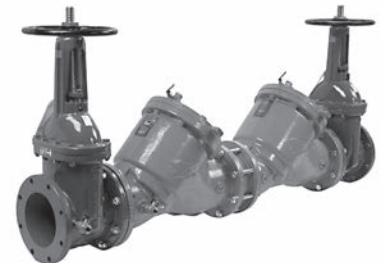
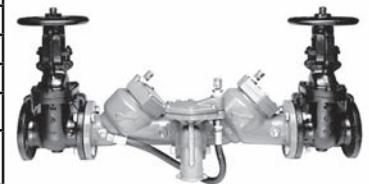


Fig.	Size IPS
LF909	3/4"
LF909	1"
LF909M1	1-1/4"
LF909M1	1-1/2"
LF909M1	2"
LF909	2-1/2" (Flanged)
LF909	3" (Flanged)
LF909	4" (Flanged)
LF909	6" (Flanged)
LF909	8" (Flanged)
LF909	10" (Flanged)



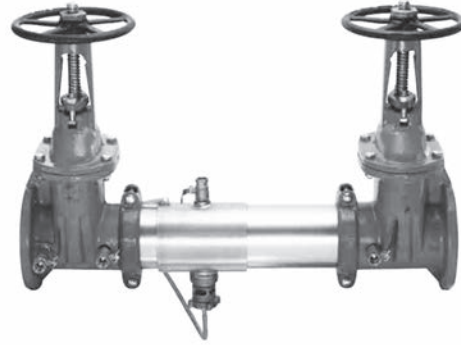
BACKFLOW PREVENTERS

WATTS AMES 957 REDUCED PRESSURE ZONE

The 957 series reduced pressure zone assemblies provide protection to the potable water system from contamination in accordance with national plumbing codes. They are normally used in health hazard applications for protection against backsiphonage or backpressure. This backflow preventer provides an economical, lightweight (70% lighter!), compact and easy-to-install option. Groove fittings allow adjustment of sleeve to fit your install. Maximum Working Pressure: 175psi. Maximum Temperature: 140°F. Stainless steel housing & sleeve with groove end connections. "N" and "Z" patterns available. Other valve options also available.



Fig.	Size
LF957NRS	2-1/2"
LF957NRS	3"
LF957NRS	4"
LF957NRS	6"
LF957NRS	8"
LF957NRS	10"

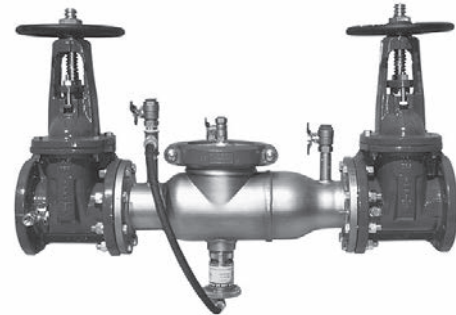


WATTS AMES 994 REDUCED PRESSURE ZONE (HIGH FLOW)

Series 994 reduced pressure zone assemblies prevent the reverse flow of polluted water from entering into the potable water supply due to backsiphonage and or backpressure. They consist of stainless steel body construction with stainless steel internal parts. The bottom-mounted relief valve is located between the two check valves, making it suitable for installations against an outside wall. Series 994 has a compact design with a short lay length, ideal for retrofit installations. The 994 is designed for health hazard applications. Maximum Working Pressure: 175psi. Maximum Temperature: 110°F. Other valve options available. Other valve options also available.



Fig.	Size
LF994NRS	2-1/2"
LF994NRS	3"
LF994NRS	4"
LF994NRS	6"
LF994NRS	8"
LF994NRS	10"



BACKFLOW ACCESSORIES

AIR GAPS

Fig. No.	Model	Series/Sizes
51250	909AGA	1/2" 009/LF009 3/4" 009/LF009M2/M3 1/2" - 1" 995"
29943	909AGC	3/4" - 1" 009/LF009, 909/LF909 1" - 1-1/2" 009/LF009M2 1-1/4" - 2" 995
24414	909AGF	1-1/4" - 3" 009/LF009, 909/LF909 1-1/4" - 2" 009/LF009M1 2" 009/LF009M2
29946	909AGK	4" - 6" 909/LF909 4" - 10" 909RPDA 8" - 10" 909/LF909M1
—	909AGM	8" - 10" 909/LF909
—	957AG	2-1/2" - 10" 957



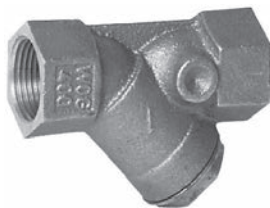
VENT ELBOWS (FOR VERTICAL INSTALLATIONS)



Fig. No.	Model	Series/Sizes
29944	909EL-C (Iron)	3/4" - 1" 009/LF009, 909/LF909 1-1/2" 009/LF009M2 1-1/4" - 2" 995
29945	909EL-F (Iron)	1-1/4" - 2" 009/LF009M1 1-1/4" - 2" 009/LF009, 909/LF909 2" 009M2
--	909EL-H (Iron)	2-1/2" - 3" 009/LF009, 909/LF909

LF777SI THREADED BRASS WYE STRAINERS

Fig.	Size
—	3/8"
128071	1/2"
128070	3/4"
128065	1"
128068	1-1/4"
—	1-1/2"
—	2"
—	2-1/2"
—	3"



77F-DI FLANGED CAST IRON WYE STRAINERS



Fig.	Size
--	2-1/2"
--	3"
--	4"
--	5"
--	6"
--	8"
--	10"

CALL DUFF FOR YOUR BACKFLOW TEST KITS!

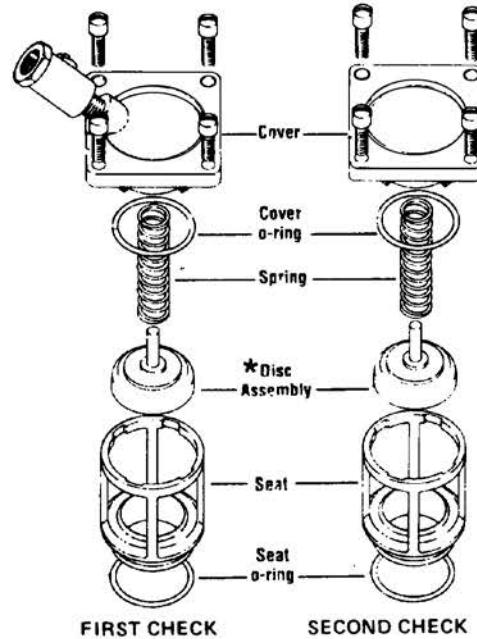
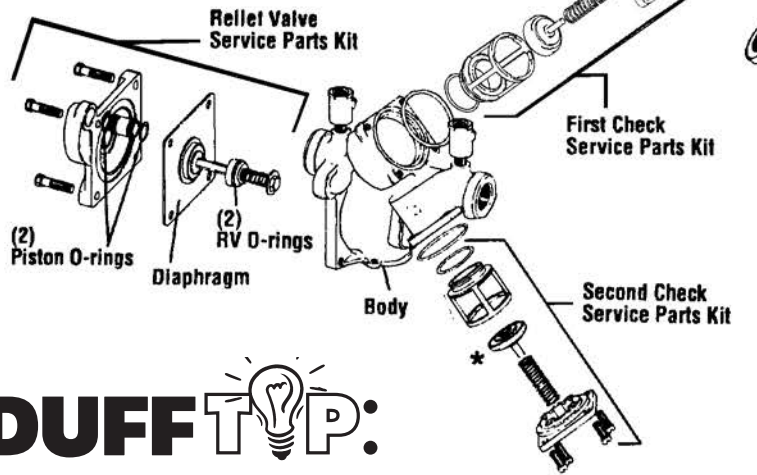


Duff Co. can recalibrate, repair and recertify all your backflow preventer test tools — no matter what brand!

SERIES 909 CHECK VALVES KIT

KIT CONSISTS OF: DISC ASSEMBLY, SPRING, SEAT, SEAT O-RING, COVER O-RING AND LUBRICANT.

WATTS 909 REPAIR KITS



DUFF TIP:

**NO SPECIAL TOOLS REQUIRED
TO SERVICE SERIES 909**

***Note:** Rubber seat disc can be replaced. However, disc holder and disc retainer are permanently bonded to prevent failure.

FIRST CHECK KITS

OEM #	KIT #	SIZE	FIG. NO.	PRICE
887120	RK 909 CK1	3/4"-1"	60473	
887133	RK 909 CK1	1 1/4"- 2"	60474	
887122	RK 909 CK1SS	3/4"- 1"	60475	
887135	RK 909 CK1SS	1 1/4"- 2"	60476	

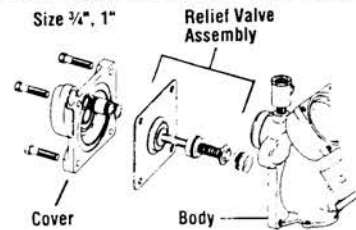
SECOND CHECK KITS

OEM #	KIT #	SIZE	FIG. NO.	PRICE
887121	RK 909 CK2	3/4"-1"	60477	
887134	RK 909 CK2	1 1/4"- 2"	60478	
887123	RK 909 CK2SS	3/4"- 1"	60479	
887136	RK 909 CK2SS	1 1/4"- 2"	60480	

WHEN ORDERING, PLEASE SPECIFY FIGURE NUMBER AND VALVE SIZE!

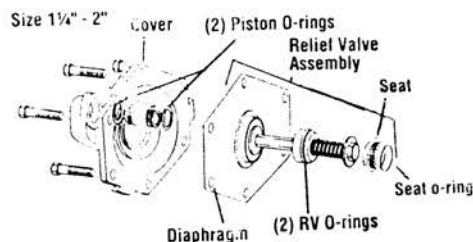
SERIES 909 RELIEF VALVE KITS

KIT CONSISTS OF: RELIEF VALVE ASSEMBLY, SEAT, SEAT O-RING, 2 PISTON O-RINGS AND LUBRICANT.



OEM #	KIT #	SIZE	FIG. NO.	PRICE
887126	RK 909 VT	3/4"- 1"	60481	
887138	RK 909 VT	1 1/4"- 2"	60482	

WHEN ORDERING, PLEASE SPECIFY FIGURE NUMBER AND VALVE SIZE!



RUBBER GOODS (ONLY) KITS

OEM #	KIT #	SIZE	FIG. NO.	PRICE
887130	WRK909RT	3/4"- 1"	8648	
887144	WRK909RT	1 1/4"- 2"	8649	

ALL KITS READY FOR IMMEDIATE SHIPMENT!

BACKFLOW PREVENTER REPAIR

Series 009, LF009

Reduced Pressure Zone Assemblies

Sizes 1/4" – 2"

Check valve kits

When ordering specify Ordering Code, Kit No., and Valve Size.
1/4" – 1"

ORDERING CODE	KIT NO.	SIZE
---------------	---------	------

First Check Kits

ORDERING CODE	KIT NO.	SIZE
0887291	RK 009 CK1	1/4" – 1/2"
0887505	RK SS009 CK1	1/2" – 3/4"
0887000	RK 009M2 CK1	3/4"
0887515	RK SS009M3 CK1	1/4" – 3/4"
0888520	RK 009M3 CK1	3/4"
0887005	RK 009 CK1	3/4" – 1"
0887009	RK 009 CK1SS	3/4" – 1"
0887525	RK SS009 CK1	1"
0887789	RK 009 M2 CK1	1"

Kit consists of: check assembly and cover O-ring.

Second Check Kits

ORDERING CODE	KIT NO.	SIZE
0887292	RK 009 CK2	1/4" – 1/2"
0887506	RK SS009 CK2	1/2" – 3/4"
0887001	RK 009M2 CK2	3/4"
0887516	RK SS009M3 CK2	1/4" – 3/4"
0888521	RK 009M3 CK2	3/4"
0887007	RK 009 CK2	3/4" – 1"
0887011	RK 009 CK2SS	3/4" – 1"
0887526	RK SS009 CK2	1"
0887790	RK 009M2 CK2	1"

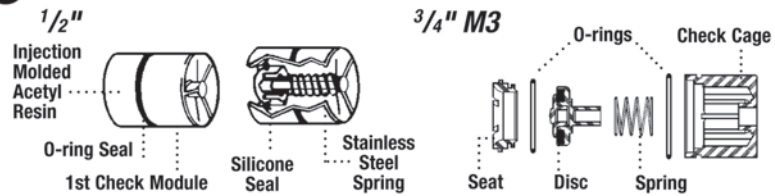
Kit consists of: check assembly and cover O-ring.

Check Rubber Parts

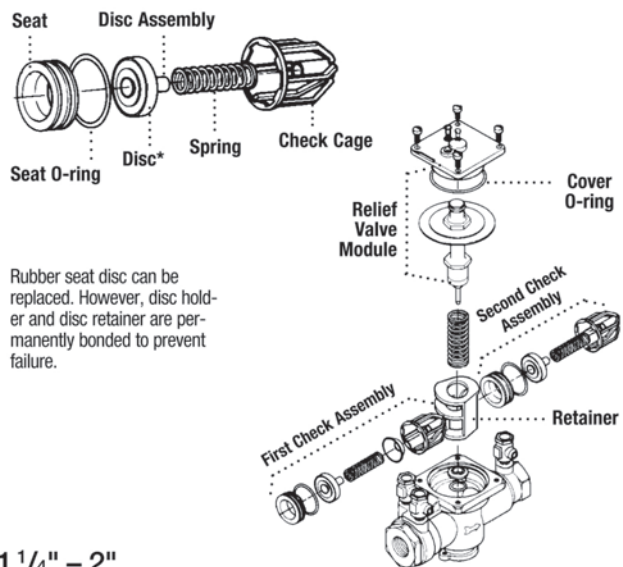
ORDERING CODE	KIT NO.	SIZE
0887293	RK 009 RC3	1/4" – 1/2"
0887507	RK SS009 RC1	1/2" – 3/4"
0887508	RK SS009 RC2	1/2" – 3/4"
0887003	RK 009M2 RC3	3/4"
0888595	RK SS009M3 RC1	1/4" – 3/4"
0888596	RK SS009M3 RC2	1/4" – 3/4"
0888522	RK 009M3 RC3	3/4"
0887017	RK 009 RC1	3/4" – 1"
0887180	RK 009 RC2	3/4" – 1"
0887527	RK SS009 RC1	1"
0887528	RK SS009 RC2	1"
0887791	RK 009M2 RC1	1"
0887792	RK 009M2 RC2	1"

Kit consists of: disc, cover O-ring and seat O-ring.

CHECK ASSEMBLIES



1" – 2"



Rubber seat disc can be replaced. However, disc holder and disc retainer are permanently bonded to prevent failure.

1 1/4" – 2"

ORDERING CODE	KIT NO.	SIZE
---------------	---------	------

First Check Kits

ORDERING CODE	KIT NO.	SIZE
0887300	RK 009M2 CK1	1 1/4" – 1 1/2"
0887270	RK 009M1 CK1	1 1/4" – 2"
0887006	RK 009 CK1	1 1/4" – 2"
0887010	RK 009 CK1SS	1 1/4" – 2"
0887272	RK 009M1 CK1SS	1 1/4" – 2"
0887540	RK 009M2 CK1	2"

Kit consists of: first check assembly, cover O-ring and sensing passage O-ring.

Second Check Kits

ORDERING CODE	KIT NO.	SIZE
0887301	RK 009M2 CK2	1 1/4" – 1 1/2"
0887271	RK 009M1 CK2	1 1/4" – 2"
0887008	RK 009 CK2	1 1/4" – 2"
0887012	RK 009 CK2SS	1 1/4" – 2"
0887273	RK 009M1 CK2SS	1 1/4" – 2"
0887541	RK 009M2 CK2	2"

Kit consists of: second check assembly, cover O-ring and sensing passage O-ring.

First Check Rubber Parts Kits

ORDERING CODE	KIT NO.	SIZE
0887304	RK 009M2 RC1	1 1/4" – 1 1/2"
0887274	RK 009M1 RC1	1 1/4" – 2"
0887018	RK 009 RC1	1 1/4" – 2"
0887542	RK 009M2 RC1	2"

Kit consists of: first check assembly O-ring, disc holder assembly, cover O-ring and sensing passage O-ring.

Second Check Rubber Parts Kits

ORDERING CODE	KIT NO.	SIZE
0887305	RK 009M2 RC2	1 1/4" – 1 1/2"
0887275	RK 009M1 RC2	1 1/4" – 2"
0887183	RK 009 RC2	1 1/4" – 2"
0887543	RK 009M2 RC2	2"

Kit consists of: second check assembly O-ring, disc holder assembly, cover O-ring and sensing passage O-ring.

BACKFLOW PREVENTER REPAIR

Series 009, LF009
Reduced Pressure Zone Assemblies

Sizes 2 1/2" – 3"

Repair Kits

When ordering specify Ordering Code, Kit No., and Valve Size.

ORDERING CODE	KIT NO.	SIZE
Total Repair Kits»		
LEAD FREE 0794051	LFRK 009-T	2 1/2" – 3"

Kit consists of: relief valve repair kit, first check repair kit, second check repair kit, retainer (if plastic)

Relief Valve Kits

Total Relief Valve Kit»

LEAD FREE 0794052	LFRK 009 VT	2 1/2" – 3"
-------------------	-------------	-------------

Kit consists of: seat, stem assembly, spring, two piston O-rings, flow tube O-ring and cover O-ring.

Relief Valve Rubber Parts»

LEAD FREE 0794053	LFRK 009 RV	2 1/2" – 3"
-------------------	-------------	-------------

Kit consists of: diaphragm, disc, molded disc assembly, piston O-ring, stem O-ring and cover O-ring.
 Stem O-ring located between stem and piston O-ring.

Check valve kits

When ordering specify Ordering Code, Kit No., and Valve Size.

ORDERING CODE	KIT NO.	SIZE
First Check Parts Kit»		
LEAD FREE 0794054	LFRK 009 CK1	2 1/2" – 3"

LEAD FREE 0794055	LFRK 009 CK2	2 1/2" – 3"
-------------------	--------------	-------------

Kit consists of: check assembly, cover O-ring and flow tube O-ring.

First Check Rubber Parts Kit

LEAD FREE 0887281	RK 009 RC1	2 1/2" – 3"
-------------------	------------	-------------

Second Check Rubber Parts Kit

LEAD FREE 0887205	RK 009 RC2	2 1/2" – 3"
-------------------	------------	-------------

Kit consists of: disc, seat O-ring, cover O-ring and flow tube O-ring.

Total Rubber Parts

LEAD FREE 0794056	LFRK 009 RT	2 1/2" – 3"
-------------------	-------------	-------------

Kit consists of: diaphragm, two molded disc assemblies, two seat O-rings, RV O-ring, two piston O-rings, RV stem O-ring, flow tube O-ring and cover O-ring.

Cover Kit

LEAD FREE 0887282	RK 009 C	2 1/2" – 3"
-------------------	----------	-------------

Kit consists of: cover, cover O-ring and flow tube O-ring.

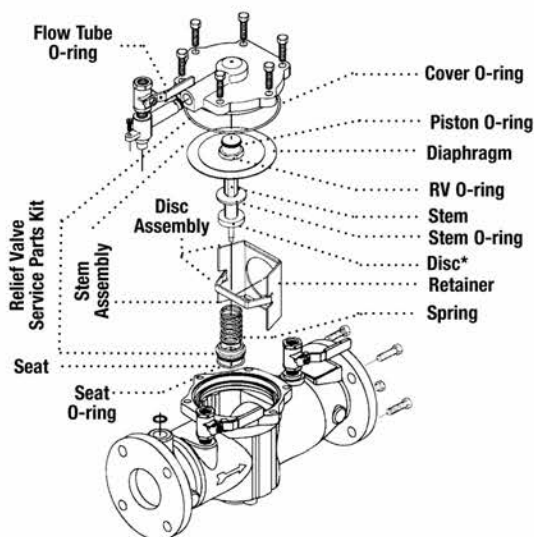
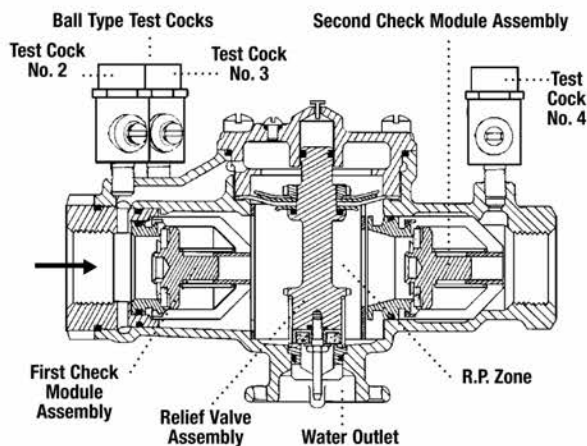
Check Seat Kit

LEAD FREE 0887208	RK 009 S1	2 1/2" – 3"
0887209	RK 009 S2	2 1/2" – 3"

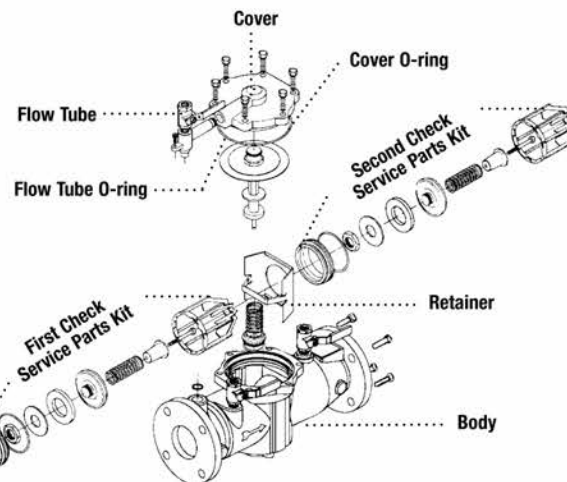
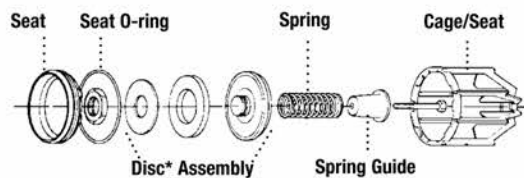
Kit consists of: check seat, seat O-ring and cover O-ring.

Rubber seat disc can be replaced. However, disc holder and disc retainer are permanently bonded to prevent failure.

First and Second Check Valve modules are not interchangeable.



Check Assemblies



BACKFLOW PREVENTER REPAIR

Series 909, LF909

Reduced Pressure Zone Assemblies

Sizes 3/4" - 2"

Repair Kits

When ordering specify Ordering Code, Kit No., and Valve Size.

ORDERING CODE	KIT NO.	SIZE
Total Repair Kits		
0794066	LFRK 909-T	3/4" - 1"
0794071	LFRK 909-T	1 1/4" - 2"

Kit consists of: relief valve repair kit, first check repair kit, second check repair kit

Relief Valve Kits

Relief Valve Kits

LEAD PRICE	ORDERING CODE	KIT NO.	SIZE
	0794059	LFRK 909 VT	3/4" - 1"
	0794060	LFRK 909M1 VT	1 1/4" - 2"

Kit consists of: relief valve assembly, seat, seat O-ring, 2 piston O-rings and lubricant.

Rubber Parts for Relief Valve

LEAD PRICE	ORDERING CODE	KIT NO.	SIZE
	0794061	LFRK 909 RV	3/4" - 1"
	0794062	LFRK 909M1 RV	1 1/4" - 2"

Kit consists of: diaphragm, disc assembly, seat O-ring, RV O-ring, 2 piston O-ring, and lubricant.

Seat Kits for Relief Valve

LEAD PRICE	ORDERING CODE	KIT NO.	SIZE
	0887372	RK 909 SV	3/4" - 1"
	0887371	RK 909M1 SV	1 1/4" - 2"

Kit consists of: seat, seat O-ring, 2 piston O-ring and lubricant.

1 1/4" - 2" 909/909M1 are common kits.

NOTICE

TO PREVENT SHAFT DAMAGE ASSEMBLE AS SHOWN: If cover will not press against body, assembly is crooked and tightening bolts will bend shaft. Do not force the cover into place as damage may result from misalignment.

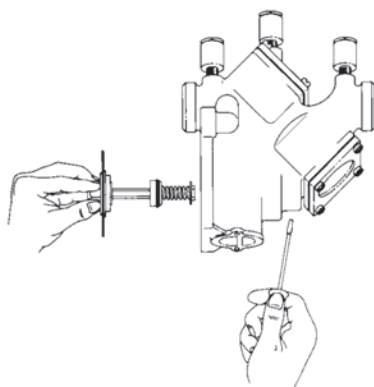


Figure 1:
To assemble the relief valve assembly have a screwdriver ready.

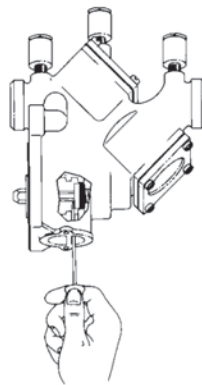


Figure 2:
Depress the relief valve assembly, carefully guiding it against the two pound spring load. When properly aligned, the piston is in the cylinder bore. Insert the screwdriver as shown.

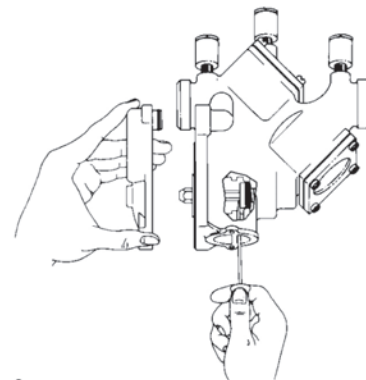
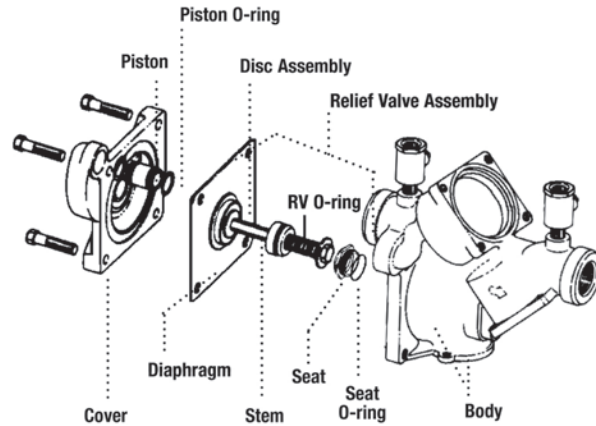
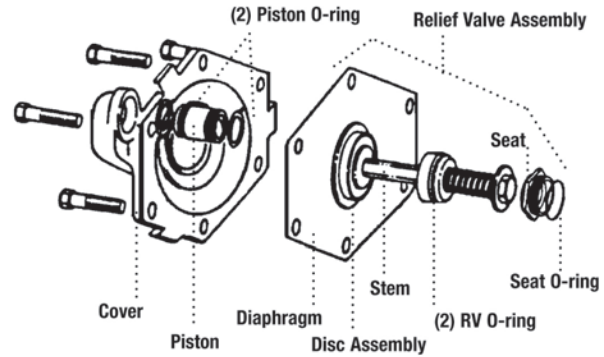


Figure 3:
The relief valve assembly is held encapsulated by the screwdriver. You should now have both hands free to bolt down the cover. Insert and snug two bolts 180° apart to hold the cover. Finish inserting the remaining bolts and snug up evenly alternating until secure. Remove the screwdriver.

3/4" - 1"



1 1/4" - 2"



BACKFLOW PREVENTER REPAIR

Series 909, LF909

Reduced Pressure Zone Assemblies

Sizes 3/4" - 2"

Check valve kits

When ordering specify Ordering Code, Kit No., and Valve Size.

Note: 1 1/4" - 2" 909/909M1 are common kits.

ORDERING CODE	KIT NO.	SIZE
---------------	---------	------

First Check Kits

LEAD FREE	ORDERING CODE	KIT NO.	SIZE
	0887120	RK 909 CK1	3/4" - 1"
	0794063	LFRK 909M1 CK1	1 1/4" - 2"
	0887122	RK 909 CK1SS**	3/4" - 1"
	0887135	RK 909M1 CK1SS**	1 1/4" - 2"

Second Check Kits

LEAD FREE	ORDERING CODE	KIT NO.	SIZE
	0887121	RK 909 CK2	3/4" - 1"
	0794064	LFRK 909M1 CK2	1 1/4" - 2"
	0887123	RK 909 CK2SS**	3/4" - 1"
	0887136	RK 909M1 CK2SS**	1 1/4" - 2"

Kit consists of: disc assembly, spring, seat, seat O-ring, cover O-ring and lubricant.

Rubber Parts for Both Checks

LEAD FREE	ORDERING CODE	KIT NO.	SIZE
	0887129	RK 909 RC3	3/4" - 1"
	0887310	RK 909 RC3 HW	3/4" - 1"
	0794065	LFRK 909M1 RC3	1 1/4" - 2"
	0794068	LFRK 909M1 RC3 HW	1 1/4" - 2"

Kit consists of: disc assembly, seat O-ring, cover O-ring and lubricant.

NOTE: HW model has bronze disc assembly.

Complete Rubber Parts

LEAD FREE	ORDERING CODE	KIT NO.	SIZE
	0794069	LFRK 909 RT	3/4" - 1"
	0794070	LFRK 909M1 RT	1 1/4" - 2"

Kit consists of: disc assembly, seat O-rings, RV diaphragm, RV O-rings, piston O-rings, cover O-rings and lubricant.

Seat Kits for One Check

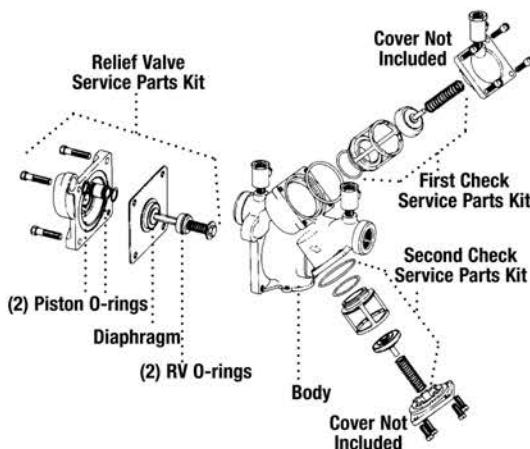
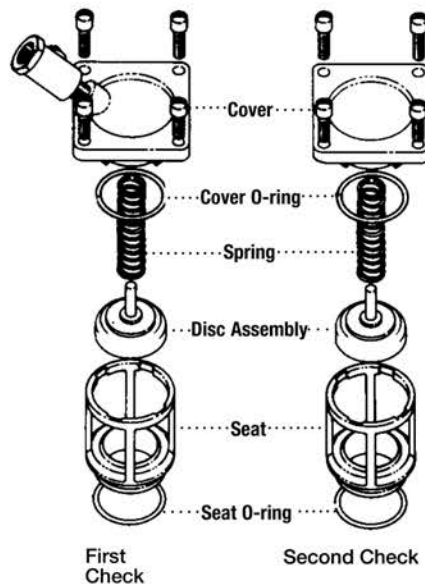
LEAD FREE	ORDERING CODE	KIT NO.	SIZE
	0887124	RK 909 S	3/4" - 1"
	0887139	RK 909M1 S	1 1/4" - 2"
	0887125	RK 909 S-SS**	3/4" - 1"
	0887140	RK 909M1 S-SS**	1 1/4" - 2"

Kit consists of: seat, seat O-ring and lubricant.

Cover Kits

LEAD FREE	ORDERING CODE	KIT NO.	SIZE
	0794072	LFRK 909 C1	3/4" - 1"
	0794073	LFRK 909 C2	3/4" - 1"
	0794075	LFRK 909 VC	3/4" - 1"
	0794074	LFRK 909M1 C4	1 1/4" - 2"
	0794076	LFRK 909M1 VC	1 1/4" - 2"

Kit consists of: cover, cover O-ring and lubricant.



No special tools required to service Series 909.

Rubber seat disc can be replaced. However, disc holder and disc retainer are permanently bonded to prevent failure.

ORDERING CODE	KIT NO.	SIZE
---------------	---------	------

Polymer Coated Valves

LEAD FREE	ORDERING CODE	KIT NO.	SIZE
	0794079	LFRK 909-PC-CK1	3/4" - 1"
	0794080	LFRK 909-PC-CK2	3/4" - 1"
	0794077	LFRK 909-PC-CK1	1 1/4" - 2"
	0794078	LFRK 909-PC-CK2	1 1/4" - 2"

Kit consists of: disc assembly, seat, seat O-ring, sleeve, check spring, PC cover and cover O-ring.

**Stainless steel seat

BACKFLOW PREVENTER REPAIR

Series 909, LF909 Reduced Pressure Zone Assemblies

Sizes 2 1/2" – 10"

Relief Valve Kits

When ordering specify Ordering Code, Kit No., and Valve Size.

**M1 = Cast iron relief valve.

ORDERING CODE	KIT NO.	SIZE
---------------	---------	------

Relief Valve Rubber Parts

LEAD FREE	ORDERING CODE	KIT NO.	SIZE
	0794081	LFRK 909 RV	2 1/2" – 3"
	0794083	LFRK 909 RV	8" – 10"
	0794150	LFRK 909(M1)-RV	4"–6" 909, 8"–10" 909M1

Kit consists of: sleeve O-ring, piston O-ring, stem O-ring, RV disc assembly, diaphragm, piston seal, bottom plug O-ring, adapter O-ring and lubricant.

Relief Valve Total

LEAD FREE	ORDERING CODE	KIT NO.	SIZE
	237	RK 909 VT	8" – 10"
	267	RK 909 VT Bronze Body	4" – 6"
	0794085	LFRK 909 VT	2 1/2" – 3"
	0794151	LFRK 909(M1)-VT	4"–6" 909, 8"–10" 909M1

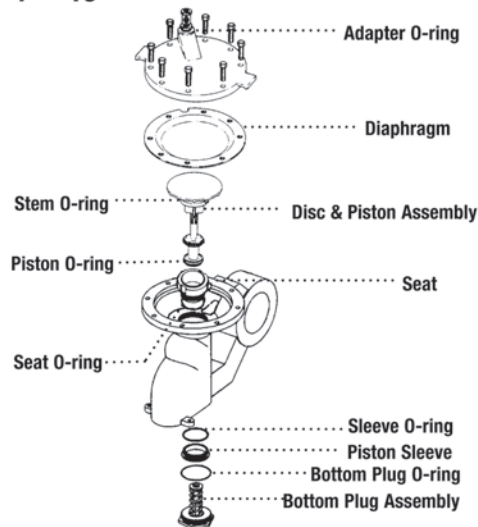
Kit consists of: diaphragm, disc & piston assembly, seat, seat O-ring, adapter O-ring and lubricant. (Sizes 4"–10"M1 includes bottom plug & spring assembly).

Total Rubber Parts Kits

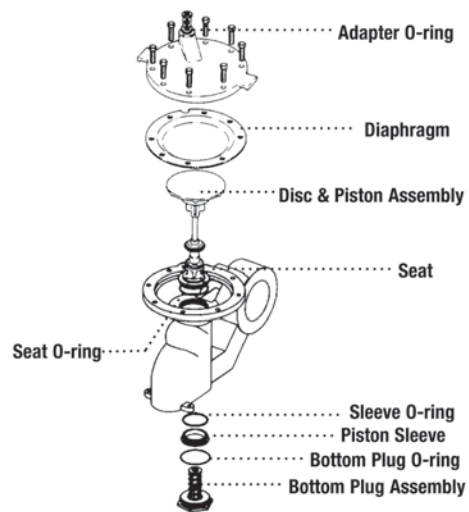
LEAD FREE	ORDERING CODE	KIT NO.	SIZE
	0794089	LFRK 909 RT	2 1/2" – 3"
	0794090	LFRK 909 RT	4"
	0794091	LFRK 909 RT	6"
	0794092	LFRK 909 RT	8"
	0794093	LFRK 909M1 RT	8"
	0794094	LFRK 909 RT	10"
	0794095	LFRK 909M1 RT	10"

Kit consists of: upper and lower check stem O-ring (6" only), check disc, cover O-ring, sleeve O-ring, piston O-ring, RV disc assembly, diaphragm, piston seal and lubricant.

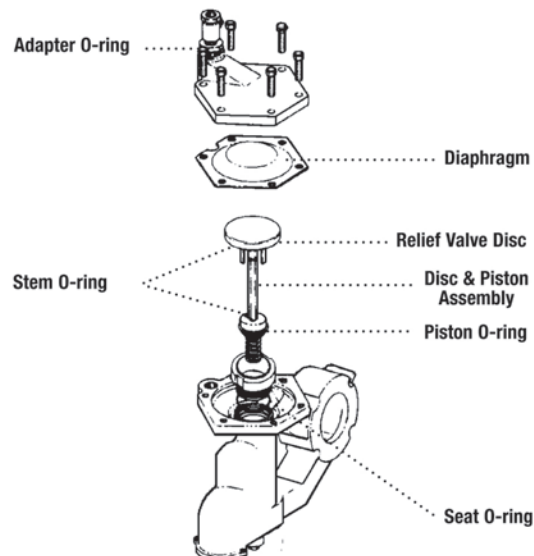
4" – 10"



8"M1, 10"M1



2 1/2", 3"



BACKFLOW PREVENTER REPAIR

Series 909, LF909

Reduced Pressure Zone Assemblies

Sizes 2 1/2" – 10"

Check valve kits

When ordering specify Ordering Code, Kit No., and Valve Size.

ORDERING CODE	KIT NO.	SIZE
---------------	---------	------

First Check Kits

LEAD FREE	ORDERING CODE	KIT NO.	SIZE
	0794096	LFRK 909 CK1	2 1/2" – 3"
	0794097	LFRK 909 CK1	4"
	0794098	LFRK 909 CK1	6"
	0794099	LFRK 909 CK1	8"
	0794100	LFRK 909 CK1	10"

Second Check Kits

LEAD FREE	ORDERING CODE	KIT NO.	SIZE
	0794101	LFRK 909 CK2	2 1/2" – 3"
	0794102	LFRK 909 CK2	4"
	0794103	LFRK 909 CK2	6"
	0794104	LFRK 909 CK2	8"
	0794105	LFRK 909 CK2	10"

Kit consists of: disc & spring assembly, cover O-ring and lubricant.

Seat Kits

LEAD FREE	ORDERING CODE	KIT NO.	SIZE
	0794106	LFRK 909 S	2 1/2" – 3"
	0794107	LFRK 909 S	4"
	0794108	LFRK 909 S	6"
	0794109	LFRK 909 S	8"
	0794110	LFRK 909 S	10"

Kit consists of: seat, seat O-ring, cover O-ring, retainer wires and lubricant.

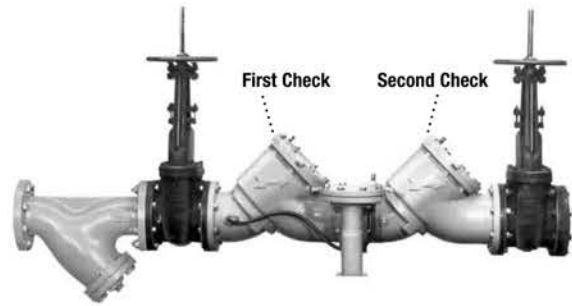
First Check Rubber Parts Kits

LEAD FREE	ORDERING CODE	KIT NO.	SIZE
	0887220	RK 909 RC1	2 1/2" – 3"
	0887221	RK 909 RC1	4"
	0887223	RK 909 RC1	6"
	0887224	RK 909 RC1	8"
	0887225	RK 909 RC1	10"

Second Check Rubber Parts Kits

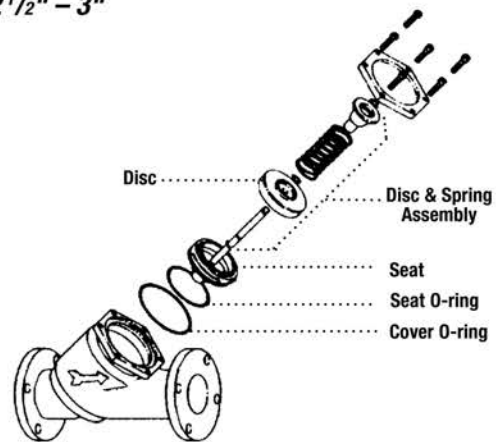
LEAD FREE	ORDERING CODE	KIT NO.	SIZE
	0887226	RK 909 RC2	2 1/2" – 3"
	0887227	RK 909 RC2	4"
	0887228	RK 909 RC2	6"
	0887229	RK 909 RC2	8"
	0887230	RK 909 RC2	10"

Kit consists of: upper and lower check stem O-ring (6" only), check disc, cover O-ring and lubricant.

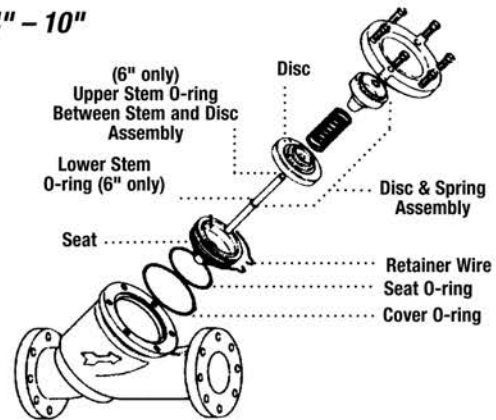


First and second checks are not interchangeable.

2 1/2" – 3"



4" – 10"



WARNING

Spring assembly is factory assembled. DO NOT DISASSEMBLE.

ORDERING CODE	KIT NO.	SIZE
---------------	---------	------

Cover Kits for Checks

LEAD FREE	ORDERING CODE	KIT NO.	SIZE
	0887740	RK 909 C	2 1/2" – 3"
	0887741	RK 909 C	4"
	0887742	RK 909 C	6"
	0887743	RK 909 C	8"
	0887744	RK 909 C	10"

Kit consists of: cover, cover O-ring and lubricant.

BACKFLOW PREVENTER REPAIR

Series 957, 957RPDA, LF957RPDA

Reduced Pressure Zone Assemblies
Reduced Pressure Detector Assemblies

Sizes 2 1/2" – 10"

Relief Valve Kits

When ordering specify Ordering Code, Kit No., and Valve Size.

ORDERING CODE	KIT NO.	SIZE
---------------	---------	------

Relief Valve Total Kits

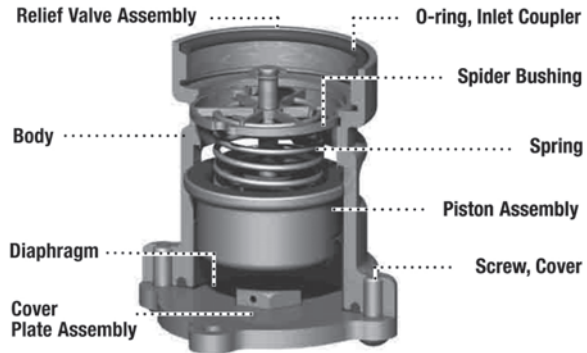
0899232	RK 957/957RPDA VT	2 1/2" – 10"
---------	-------------------	--------------

Kit consists of: complete relief valve assembly.

Relief Valve Rubber Parts Kits

0899236	RK 957/957RPDA RV	2 1/2" – 10"
---------	-------------------	--------------

Kit consists of: diaphragm, inlet coupler O-ring and piston assembly.



Series 957, 957RPDA, LF957RPDA

Reduced Pressure Zone Assemblies
Reduced Pressure Detector Assemblies

Sizes 2 1/2" – 10"

Check valve kits

When ordering specify Ordering Code, Kit No., and Valve Size.

ORDERING CODE	KIT NO.	DISC	SIZE
---------------	---------	------	------

First Check Kits

7018129	RK 957/957RPDA CK1	EPDM	2 1/2" – 4"
0889370	RK 957/957RPDA CK1-RS	Red Silicone	2 1/2" – 4"
7018132	RK 957/957RPDA CK1	EPDM	6"
0889374	RK 957/957RPDA CK1-RS	Red Silicone	6"
7018135	RK 957/957RPDA CK1	Red Silicone	8"
0899215	RK 957/957RPDA CK1	Red Silicone	10"

Kit consists of: first check module, check module O-ring and disc elastomer.

Second Check Kits

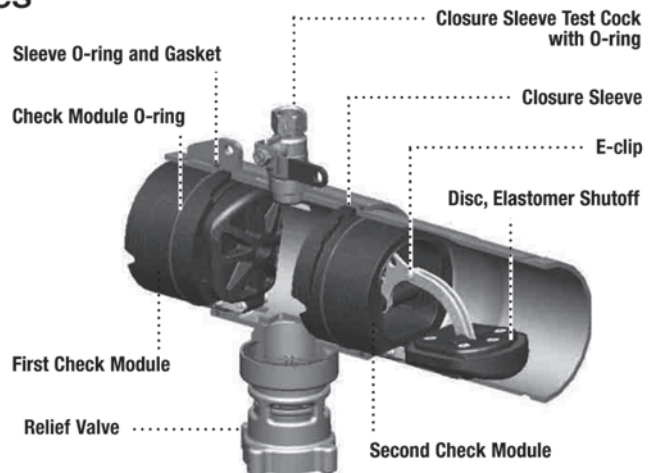
0899216	RK 957/957RPDA CK2	EPDM	2 1/2" – 4"
0889371	RK 957/957RPDA CK2-RS	Red Silicone	2 1/2" – 4"
0899217	RK 957/957RPDA CK2	EPDM	6"
0889375	RK 957/957RPDA CK2-RS	Red Silicone	6"
0899218	RK 957/957RPDA CK2	Red Silicone	8"
0899219	RK 957/957RPDA CK2	Red Silicone	10"

Kit consists of: second check module, check module O-ring and disc elastomer.

First or Second Check Rubber Parts Kits

0899220	RK 957/957RPDA RC4	EPDM	2 1/2" – 4"
0889372	RK 957/957RPDA RC4-RS	Red Silicone	2 1/2" – 4"
0899221	RK 957/957RPDA RC4	EPDM	6"
0889376	RK 957/957RPDA RC4-RS	Red Silicone	6"
0899222	RK 957/957RPDA RC4	Red Silicone	8"
0899223	RK 957/957RPDA RC4	Red Silicone	10"

Kit consists of: check module O-ring, disc elastomer and E-clip.



*The wetted surface of this product contacted by consumable water contains less than 0.25% of lead by weight.

Check Sleeve Cover Kits

0899240	RK 957/957RPDA C	2 1/2" – 4"
0899241	RK 957/957RPDA C	6"
0899242	RK 957/957RPDA C	8"
0899243	RK 957/957RPDA C	10"

Kit consists of: closure sleeve, sleeve O-ring and gasket.

Total Rubber Parts Kits

0899244	RK 957/957RPDA RT	EPDM	2 1/2" – 4"
0889373	RK 957/957RPDA RT-RS	Red Silicone	2 1/2" – 4"
0899245	RK 957/957RPDA RT	EPDM	6"
0889377	RK 957/957RPDA RT-RS	Red Silicone	6"
0899246	RK 957/957RPDA RT	Red Silicone	8"
0899247	RK 957/957RPDA RT	Red Silicone	10"

Kit consists of: 1st and 2nd check module O-ring, (2) disc elastomer, (2) E-clips, relief valve diaphragm, relief valve inlet coupler O-ring and relief valve piston assembly.

BACKFLOW PREVENTER REPAIR

Series 994, 994RPDA
 Reduced Pressure Zone Assemblies
 Reduced Pressure Detector Assemblies

Sizes 2 1/2" – 10"

Repair Kits

When ordering specify Ordering Code, Kit No., and Valve Size.

ORDERING CODE	KIT NO.	SIZE
---------------	---------	------

First Check Kits

LEAD FREE	0888830	RK 994/994 RPDA CK1	2 1/2", 3", 4"
	0888831	RK 994/994 RPDA CK1	6"
	0888832	RK 994/994 RPDA CK1	8", 10"

Kit consists of: complete No. 1 check with check O-ring.

Second Check Kits

LEAD FREE	0888833	RK 994/994 RPDA CK2	2 1/2", 3", 4"
	0888834	RK 994/994 RPDA CK2	6"
	0888835	RK 994/994 RPDA CK2	8", 10"

Kit consists of: complete No. 2 check with check O-ring.

Cover Kits

LEAD FREE	0888836	RK 994/994 RPDA C	2 1/2", 3", 4"
	0888837	RK 994/994 RPDA C	6"
	0888838	RK 994/994 RPDA C	8", 10"

Kit consists of: cover, grooved coupler, gasket.

Relief Valve Rubber Parts Kits

LEAD FREE	0888839	RK 994/994 RPDA RV	2 1/2" – 10"
-----------	---------	--------------------	--------------

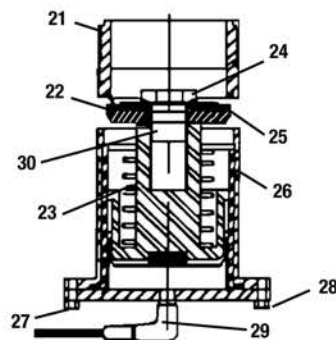
Kit consists of: rubber disc, piston diaphragm assembly, disc retainer, relief valve O-ring.

Relief Valve Total Kits

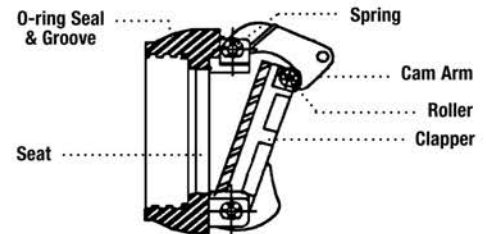
LEAD FREE	0888840	RK 994/994 RPDA VT	2 1/2" – 10"
-----------	---------	--------------------	--------------

Kit consists of: body, disc, piston diaphragm assembly, hex head bolt, disc retainer, sleeve, bottom bolt, shut-off plate and bottom flange.

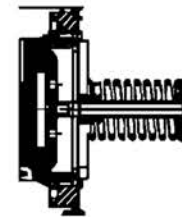
Use 2 1/2" – 4" repair kits for repair of 994 BLT, 994 HMB



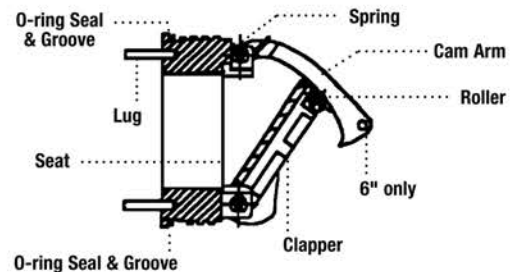
No. 1 Check 2 1/2" & 6"



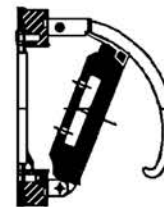
No. 1 Cam-Check 8" & 10"



No. 2 Check 2 1/2" & 6"



No. 2 Cam-Check 8" & 10"

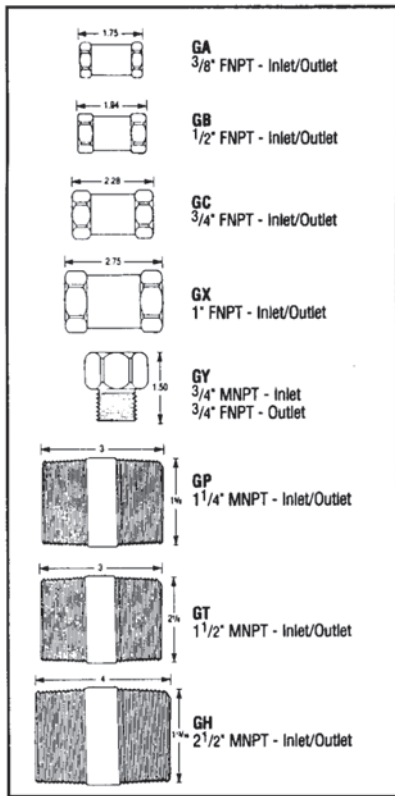


Parts Table

ITEM	PART DESCRIPTION	QTY.
21	Relief valve body	1
22	Rubber shutoff disc	1
23	Piston diaphragm assembly	1
24	Hex head bolt	1
25	Disc retainer	1
26	Sleeve	1
27	Bottom bolt	1
28	Bottom flange (w. st. elbow)	1
29	Bottom St. Elbow	1
30	O-ring disc	1

DUFF CO. REGULATORS-BACKFLOW PREVENTERS-METERS

DOWNFLOW REGULATORS (CHROME-PLATED BRASS)



Flow Rate in GPM	GA	GB	GC	GY	GX	GP	GT	GH
0.06	✓							
0.13	✓							
0.19	✓							
0.25	✓							
0.35	✓							
0.50	✓							
0.60	✓							
0.75	✓							
1.00	✓							
1.10	✓	✓						
1.50	✓	✓						
1.60	✓	✓	✓					
1.76	✓	✓	✓					
2.00	✓	✓	✓	✓				
2.60	✓	✓	✓	✓	✓			
3.00	✓	✓	✓	✓	✓	✓		
3.50	✓	✓	✓	✓	✓	✓	✓	
4.00	✓	✓	✓	✓	✓	✓	✓	
4.50	✓	✓	✓	✓	✓	✓	✓	
5.00	✓	✓	✓	✓	✓	✓	✓	
5.50	✓	✓	✓	✓	✓	✓	✓	
6.20	✓	✓	✓	✓	✓	✓	✓	
6.25	✓	✓	✓	✓	✓	✓	✓	
7.00	✓	✓	✓	✓	✓	✓	✓	
8.20	✓	✓	✓	✓	✓	✓	✓	
8.30	✓	✓	✓	✓	✓	✓	✓	
9.00	✓	✓	✓	✓	✓	✓	✓	
10.00	✓	✓	✓	✓	✓	✓	✓	
11.50	✓	✓	✓	✓	✓	✓	✓	
12.00	✓	✓	✓	✓	✓	✓	✓	
13.50	✓	✓	✓	✓	✓	✓	✓	
15.00	✓	✓	✓	✓	✓	✓	✓	
20.00	✓	✓	✓	✓	✓	✓	✓	
25.00	✓	✓	✓	✓	✓	✓	✓	
30.00	✓	✓	✓	✓	✓	✓	✓	
35.00	✓	✓	✓	✓	✓	✓	✓	
40.00	✓	✓	✓	✓	✓	✓	✓	
45.00	✓	✓	✓	✓	✓	✓	✓	
50.00	✓	✓	✓	✓	✓	✓	✓	
55.00	✓	✓	✓	✓	✓	✓	✓	
60.00	✓	✓	✓	✓	✓	✓	✓	
65.00	✓	✓	✓	✓	✓	✓	✓	
70.00	✓	✓	✓	✓	✓	✓	✓	
75.00	✓	✓	✓	✓	✓	✓	✓	
80.00	✓	✓	✓	✓	✓	✓	✓	
85.00	✓	✓	✓	✓	✓	✓	✓	
90.00	✓	✓	✓	✓	✓	✓	✓	

FIG. NO.	MODEL NO.	SIZE	FLOW GALLONS	PRICE	FIG. NO.	MODEL NO.	SIZE	FLOW GALLONS	PRICE
8734	GA006	3/8"	1/16		---	---	3/4"	4 1/2	
---	---	3/8"	1/8		30941	GY5	3/4"	5	
---	---	3/8"	1/5		---	---	3/4"	5 1/2	
8740	GA025	3/8"	1/4		30942	GY6	3/4"	6	
30903	GA035	3/8"	1/3		30943	GY7	3/4"	7	
8743	GA050	3/8"	1/2		30944	GY8	3/4"	8	
51954	GA060	3/8"	2/3		30945	GY9	3/4"	9	
8744	GA0.75	3/8"	3/4		30946	GY10	3/4"	10	
8745	GA1.1	3/8"	1		30947	GY11.50	3/4"	11 1/2	
30919	GB1.1	1/2"	1		30948	GX1	1"	1	
8747	GB1.50	1/2"	1 1/2		30949	GX1.50	1"	1 1/2	
8750	GB2	1/2"	2		30950	GX2	1"	2	
8753	GB2.50	1/2"	2 1/2		8770	TX2.50	1"	2 1/2	
8755	GB3	1/2"	3		8773	GX3	1"	3	
8757	GB3.50	1/2"	3 1/2		8776	GX3.50	1"	3 1/2	
8760	GB4	1/2"	4		8778	GX4.1	1"	4	
---	---	1/2"	4 1/2		8780	GX4.50	1"	4 1/2	
30921	GB5	1/2"	5		8783	GX5.0	1"	5	
---	---	1/2"	5 1/2		30951	TX5.50	1"	5 1/2	
30923	GB6.0	1/2"	6		8784	GX6	1"	6	
30924	GC1	3/4"	1		8786	GX7	1"	7	
30925	GC1.50	3/4"	1 1/2		8788	GX8	1"	8	
30926	GC2	3/4"	2		8790	GX9	1"	9	
30927	GC2.50	3/4"	2 1/2		8793	GX10	1"	10	
30928	GC3	3/4"	3		8795	GX12	1"	12	
30929	GC3.50	3/4"	3 1/2		30952	GX13.50	1"	13 1/2	
30930	GC4.1	3/4"	4		8798	GX15	1"	15	
30931	GC4.50	3/4"	4 1/2		8801	GX20	1"	20	
32543	GC5.0	3/4"	5		8803	GX25	1"	25	
30923	GC5.50	3/4"	5 1/2		8806	GX30	1"	30	
8764	GC6	3/4"	6		40147	GH30	2 1/2"	30	
8765	GC7	3/4"	7		8807	GH35	2 1/2"	35	
8766	GC8	3/4"	8		8809	GX40	2 1/2"	40	
8767	GC9	3/4"	9		8812	GH45	2 1/2"	45	
8768	GC10	3/4"	10		8818	GH50	2 1/2"	50	
30933	GC11.5	3/4"	11 1/2		8819	GH55	2 1/2"	55	
8769	GY1	3/4"	1		8821	GH60	2 1/2"	60	
30934	GY1.50	3/4"	1/2		30953	GH65	2 1/2"	65	
30935	GY2	3/4"	2		8823	GH70	2 1/2"	70	
30936	GY2.50	3/4"	2 1/2		30954	GH75	2 1/2"	75	
30937	GY3	3/4"	3		8826	GH80	2 1/2"	80	
30938	GY3.50	3/4"	3 1/2		30955	GH85	2 1/2"	85	
30939	GY4	3/4"	4		8828	GH90	2 1/2"	90	

REGULATORS-BACKFLOWPREVENTERS-METERS DUFF CO.

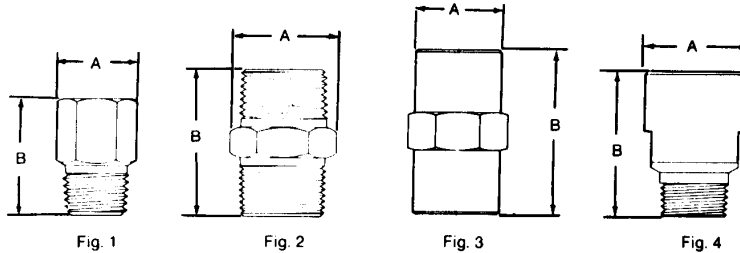
DUFF FLOW REGULATORS —ASSEMBLED TO YOUR SPECIFICATIONS

Duff offers a wide range of flow controls that are ideal for use in private homes and buildings.

Water flow rate can be equalized throughout the home or building by installing a Flo-et at the inlet to each appliance. And, water usage can be reduced substantially by controlling the volume of water used in sinks, showers and drinking fountains.

Flo-et flow controls can be incorporated into in-line housings for specific contact time with point-of-use water filters.

Residential and light commercial flo-et flow controls are available in flow rates from 1/4 to 20 gpm. For temperatures less than 140°.

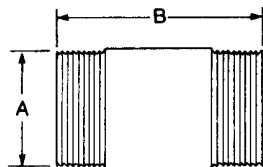


Order No.	Description	Available Flow Rates	Pipe Size	A In. (mm)	B In. (mm)	Flow Direction	Housing Material	Figure
	#77-19 3/8" B Flo-Control	.25 - 3.5 gpm	3/8"	3/4" Hex (19.1mm)	1-1/4" (31.8mm)	F—M, M—F	Brass	1
56161	#80-23 3/8" P Flo-Control	.25 - 4.0 gpm	3/8"	13/16" Hex (20.8mm)	1-1/2" (38.1mm)	F—F	Nickel-Chrome, Plated Brass	3
	Hydro Saver 1/2" NPT	2.5 - 3.0 gpm	1/2"	1" Dia. (25.4mm)	1-1/2" (38.1mm)	F—M	Polished Nickel Chrome Plated Brass	4
	#70-CN3 1/2" B Flo-Control	.25 - 4.0 gpm	1/2"	1" Hex (25.4mm)	1-1/4" (31.8mm)	F—M, M—F	Brass	1
39025	#76-1A 1/2" PVC Flo-Control	.25 - 3.5 gpm	1/2"	1-1/2" Dia. (38.1mm)	1-3/4" (44.5mm)	F—M, M—F	Type 1, Grade P.V.C.	4
*	#83-46A 1/2" P Flo-Control	.25 - 4.0 gpm	1/2"	1" Hex (25.4mm)	1-7/8" (47.6mm)	F—F	Nickel-Chrome, Plated Brass	3
*	#83-46B 1/2" P Flo-Control	5.0 - 10.0 gpm	1/2"	1" Hex (25.4mm)	1-7/8" (47.6mm)	F—F	Nickel-Chrome, Plated Brass	3
53503	#70-CN25 3/4" B Flo-Control	.25 - 10.0 gpm	3/4"	1-3/32" Hex (27.8mm)	1-3/4" (44.5mm)	M—M	Brass	2
54039	#78-111 3/4" P Flo-Control	.25 - 10.0 gpm	3/4"	1-1/4" Hex (31.8mm)	2" (50.8mm)	F—F	Nickel-Chrome, Plated Brass	3
	#77-4 1" B Flo-Control	5.0 - 20.0 gpm	1"	1-3/8" Hex (34.9mm)	2-1/4" (57.2mm)	M—M	Brass	2
*	#78-109 1" P Flo-Control	5.0 - 20.0 gpm	1"	1-1/2" Hex (38.1mm)	2-3/4" (69.9mm)	F—F	Nickel-Chrome, Plated Brass	3

*Specify flo rate

Duff commercial/Industrial Flo-ets provide flow control in a variety of applications, including multi-story buildings, water treatment equipment, cooling towers, and agricultural irrigation systems.

These highly efficient flow controls are available in flow rates from 1/4 gpm to 28 gpm. The body of the Commercial/Industrial Flo-et is a steel nipple with sizes from 3/4 inch to 6 inches in diameter.



ORDER NUMBER	A		B		APPROX. WEIGHT		STATE FLOW WHEN ORDERING		NO. OF FLO-ETS EACH
	N.P.T. U.S. INCHES	CENTI-METERS	U.S. INCHES	CENTI-METERS	U.S. LBS.	KILOGRAM	U.S. GALLONS PER/MIN.	LITERS PER/MIN.	
53503	3/4"	1.90	1-3/4"	4.4	3 oz.	.08 Kg	0.25-10	.95-38	1
	1"	2.54	2-1/4"	5.7	6 oz.	.17 Kg	5-20	17-76	1
65027	2"	5.08	4"	10.2	1.5 lbs.	.68 Kg	15-30	57-114	3
55649	3"	7.62	4-1/2"	11.4	2.75 lbs.	1.25 Kg	30-70	114-265	7
55111	4"	10.16	5"	12.7	4.75 lbs.	2.15 Kg	60-120	227-454	12
66527	5"	12.70	5"	12.7	6 lbs.	2.72 Kg	70-190	265-719	19
73882	6"	15.24	5-1/2"	14.0	8.75 lbs.	3.97 Kg	140-280	530-1060	28

*On 3/4" N.P.T. and 1" N.P.T. body material is brass.

For additional information call: 610-275-4453 or Fax: 610-279-6299
Please call for current prices.

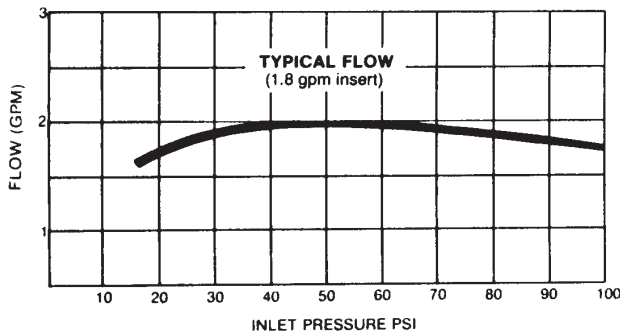
DUFF FLOW REGULATORS

Flo-et flow controls offer many advantages over conventional valve-type flow controls.

Initially, flo-et controls cost less to install. And, because they require no maintenance or adjustments, they maximize cost saving over the life of your equipment.

Flo-et flow controls are completely tamper-proof, yet authorized persons can easily alter them for increases or decreases in flow rate.

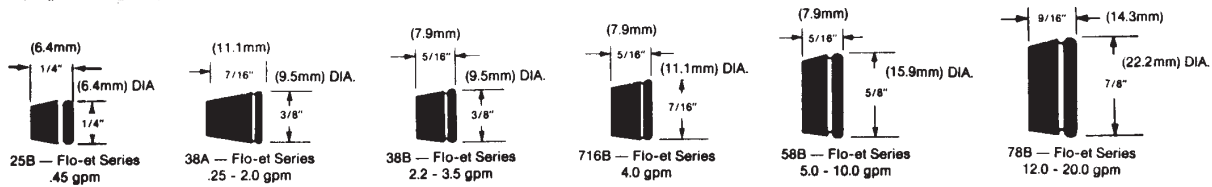
Duff offers a wide range of customized Flo-et inserts to meet your exact application needs. Both Flo-et inserts and retainers are ideal for incorporation into custom-designed housings. This provides additional cost savings by eliminating the need to purchase the brass housing. Because of our unique design, Duff can offer you the option to purchase only the Flo-et insert or the insert and the retainer.



	ABRASION RESISTANCE	SUNLIGHT SOILING	OXIDATION RESISTANCE	SOLVENT RESISTANCE	ALIPHATIC RESISTANCE	SOLVENT RESISTANCE (AROMATIC)	OXIDIZING SOLVENTS	GLYCOLS	GL & ALCOHOLS	ACID RESISTANCE	PER-OXIDE ACID RESISTANCE	ACID RESISTANCE	PER-OXIDE ACID RESISTANCE	WATER SWELL RESISTANCE
Fair		●												
Good	●			●		●						●		
Excellent					●					●				●

Normal Operating Temperature Range 40° F to 140° F (5° C to 60° C)
Normal Operating Pressure Range 20 to 120 psi
(1.4 - 8.4 Kg. per Sq. Cm.)

CHEMICAL RESISTANCE CHART (58B & 78B Series Inserts)

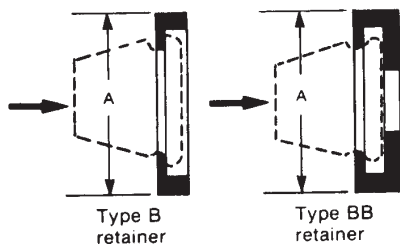


Order No.	Description
	#25B4-52 0.45 gpm
	#38A3-47 0.25 gpm
	#38A3-57 0.30 gpm
52289	#38A4-47 0.40 gpm
49208	#38A4-57 0.50 gpm
	#38A5-46 0.60 gpm
	#38A5-47 0.70 gpm
72560	#38A5-57 0.80 gpm
	#38A6-47 0.90 gpm
49886	#38A6-57 1.0 gpm
50657	#38A7-47 1.2 gpm

Order No.	Description
	#38A7-52 1.4 gpm
	#38A8-47 1.6 gpm
	#38A8-52 1.8 gpm
49887	#38A8-57 2.0 gpm
	#38B9-52 2.2 gpm
49888	#38B9-57 2.5 gpm
	#38B10-52 2.6 gpm
49889	#38B10-57 3.0 gpm
	#38B10-623 3.5 gpm

Order No.	Description
49890	#716B11-623 4.0 gpm
49891	#58B13-535 5.0 gpm
49892	#58B14-568 6.0 gpm
49893	#58B15-568 7.0 gpm
49894	#58B16-568 8.0 gpm
	#58B16-602 9.0 gpm
49895	#58B17-602 10 gpm
49896	#78B20-58 12 gpm
49897	#78B21-62 15 gpm
	#78B23-62 17 gpm
49898	#78B24-74 20 gpm

Note: Special flow rates can be designed upon request.



Type B retainer is intended for a press fit into an adapter that provides back-up support for the Flo-et insert. The BB type can be used in an adapter that does not provide back-up support.

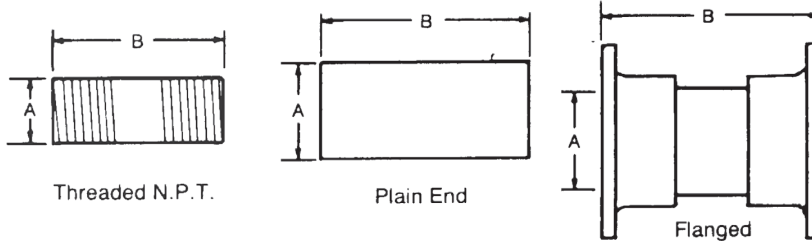
Order No.	Description	"A" Dimension		For Insert Series No.
		Inches	Millimeters	
	#25R-1BB Retainer	.301 - .303	7.6 - 7.7	25B
	#38R-1B Retainer	.463 - .465	11.7 - 11.8	38A & 38B
70974	#38R-1BB Retainer	.463 - .465	11.7 - 11.8	38A & 38B
49875	#38R-2B Retainer	.525 - .527	13.3 - 13.4	38A & 38B
49881	#38R-4BB Retainer	.787 - .789	20.0 - 20.1	38A & 38B
49878	#716R-1B Retainer	.525 - .527	13.3 - 13.4	716B
49882	#716R-2BB Retainer	.787 - .789	20.0 - 20.1	716B
49883	#58R-2BB Retainer	.787 - .789	20.0 - 20.1	58B
49885	#58R-4BB Retainer	.995 - .997	25.2 - 25.3	58B
50658	#78R-2BB Retainer	.995 - .997	25.2 - 25.3	78B

REGULATORS-BACKFLOWPREVENTERS-METERS DUFF CO.

DUFF FLOW REGULATORS —ASSEMBLED TO YOUR SPECIFICATIONS

PVC FLOW REGULATORS

Duff PVC flow controls are designed for applications where constant flow rates are required and variable pressures are encountered. They are ideal for use in environments where metal housings are not recommended, such as high purity, deionized water applications. Flow capacities are available from 1/4 gpm to 540 gpm. Specify exact GPM flow rate.



Threaded N.P.T.

Plain End

Flanged

T H R E A D E D

FLOW RATE GPM (l)	NO. OF INSERTS	PIPE SIZE "A"	MODEL NO.	LENGTH "B" (INCHES)	APPRX WEIGHT LBS.	FIG. NO.	PRICE
.25-3.5	1	1/2	T-050-1	2	.05	53801	
.25-10	1	3/4	T-075-1	2	.06	65707	
5-20	1	1	T-100-1	3	.12	47566	
10-20	2	1-1/4	T-125-2	3	.18	—	
20-40	4	1-1/2	T-150-4	3	.25	—	
35-70	7	2	T-200-7	3	.31	53585	
45-90	9	2-1/2	T-250-9	4	.56	—	
70-140	14	3	T-300-14	4	.68	—	
120-250	25	4	T-400-25	4	1.00	52782	
270-540	54	6	T-600-54	4	2.50	83732	

P L A I N E N D

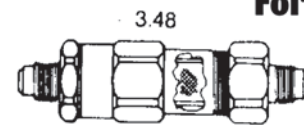
FLOW RATE GPM (l)	NO. OF INSERTS	PIPE SIZE "A"	MODEL NO.	LENGTH "B" (INCHES)	APPRX WEIGHT LBS.	FIG. NO.	PRICE
.25-3.5	1	1/2	P-050-1	5	.09	63261	
.25-10	1	3/4	P-075-1	5	.12	—	
5-20	1	1	P-100-1	5	.18	83728	
10-20	2	1-1/4	P-125-2	5	.27	57017	
20-40	4	1-1/2	P-150-4	5	.36	57019	
35-70	7	2	P-200-7	5	.47	65862	
45-90	9	2-1/2	P-250-9	5	.80	83733	
70-140	14	3	P-300-14	5	1.00	62133	
120-250	25	4	P-400-25	5	1.47	83734	
270-540	54	6	P-600-54	8	3.90	83735	

F L A N G E D

FLOW RATE GPM (l)	NO. OF INSERTS	PIPE SIZE "A"	MODEL NO.	LENGTH "B" (INCHES)	APPRX WEIGHT LBS.	FIG. NO.	PRICE
35-70	7	2	F-200-7	6	2.43	—	
45-90	9	2-1/2	F-250-9	6	3.80	83736	
70-140	14	3	F-300-14	6	4.76	—	
120-250	25	4	F-400-25	6	7.55	52971	
270-540	54	6	F-600-54	6 1/2	12.60	83738	

RKS-SERIES flow regulators

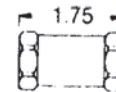
For Food Service



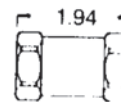
0.06 to 1.0 GPM

- 1/2" Flare - Inlet & Outlet
- Serviceable 100 x 90 Mesh Monel Screen
- Brass Housing
- 5.5 oz. Net Weight

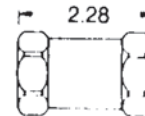
SS-G Series Stainless Steel Flow Regulators



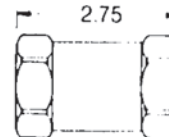
- 3/8" FNPT - Inlet/Outlet
- 0.06 to 1.0 GPM
- 3 oz. Net Weight



- 1/2" FNPT - Inlet/Outlet
- 1.0 to 6.0 GPM
- 3 1/2" oz. Net Weight



- 3/4" FNPT - Inlet/Outlet
- 1.0 to 11.5 GPM
- 8 oz. Net Weight



- 1" FNPT - Inlet/Outlet
- 1.0 to 30 GPM
- 12 oz. Net Weight



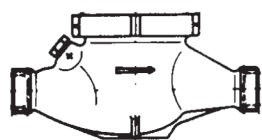
DUFF

SELLS SOLUTIONS

Call us today!
610-275-4453

DUFF CO. REGULATORS-BACKFLOW PREVENTERS-METERS

WATER METERS



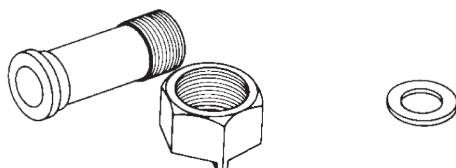
MULTI-JOB COLD WATER METERS measure unheated water below 100°F. They can be used to

detect waste or leaks, to allocate cost accounting charges and to set standards of water consumption. Center sweep register, superior accuracy, magnetic drive.

WITH COUPLINGS

SIZE	FIG. NO.	PRICE
5/8X1/2	47606	
5/8X3/4	47607	
1	47608	
1 1/2	47609	
2	47610	

METER COUPLINGS, NUTS AND WASHERS



COUPLING & NUT			WASHER		
SIZE	FIG. NO.	PRICE	SIZE	FIG. NO.	PRICE
1/2	7157		1/2	36273	
3/4	7158		3/4	43678	
1	7159		1	43679	
1 1/2	7160		1 1/2	43680	
2	7161		2	43681	

REMOTE METER (LESS TOTALIZER)

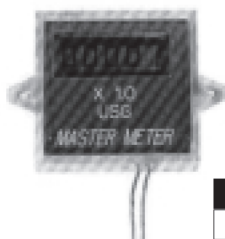
(100 gallons per pulse)

Also available with 1gpp or 10gpp



SIZE	FIG. NO.	PRICE
3/4"	43369	
1"	44949	
1/2"	44950	
2"	—	
3"	44952	

REMOTE TOTALIZER (BATTERY OPERATED)



ALSO AVAILABLE WITH RESET BUTTON

FIG. NO.	PRICE
7168	

DUFFNOTE:

You must order meter *and* totalizer for remote applications.



FLANGED WATER METER

Center sweep register, superior accuracy, magnetic drive.

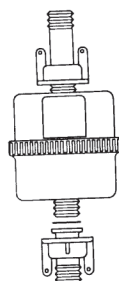
Brass construction (cast iron flange) meters also available

SIZE	FIG. NO.	PRICE
2"	45186	
3"	44426	
4"	44427	

Brass Flange & Gasket Sets (pair) 1/2" - 2" use Meter Flanges

SIZE	FIG. NO.	PRICE
1 1/2"	53771	
2"	50702	

*For 3" & 4" Meter, use Brass or Black Iron Companion Flanges - See pages 70 or 59



POLYMER Suitable for D.I. use. Polymer & thermoplastic for potable cold water. 120° F WP to 150 psi. Tamper proof, non-corrosive, low cost.

DESCR	FIG. NO.
1/2" 125-20 Horizontal or vertical installation	23541
3/4" 25-20 max flo 20	30094

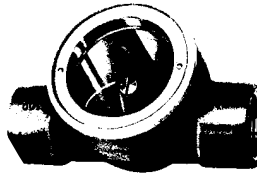


HOT AND WARM WATER METERS are designed for measurement at temperatures from 100 to 194°F Ideal for boiler feed, factory hot water installations, condensate return and similar application.

SIZE	FIG. NO.
3/4"	7162
1"	7163
1-1/2"	7165
2"	7166

REGULATORS-BACKFLOWPREVENTERS-METERS DUFF CO.

FLO-METERS

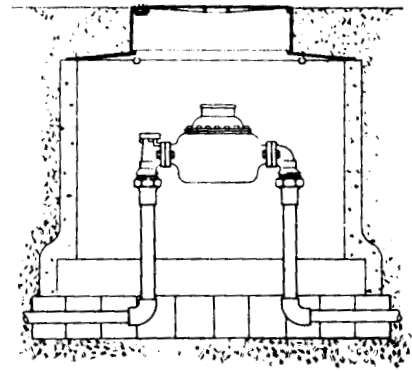


Midwest **sight flow indicators.** Inexpensive protection for expensive equipment. Manufactured of quality materials and safety-tested to assure you of long, dependable service at an economical price.

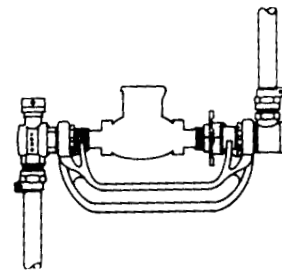
Sight flow indicators are standard construction. Indicators of other metals, pressures and temperatures are available. All standard production sight flow indicators have the following specifications:

Bronze body, 304 stainless spinner shaft, lightweight plastic spinner for indicating low flow, operating pressure 125 psi, operating temperature 200oF, glass windows, hydrostatically tested to double recommended rating, window available in tempered glass!

SIZE	GLASS THICKNESS	LENGTH	HEIGHT	WIDTH	FIG. NO.	PRICE
1/2	1/4"	3 13/16"	2 1/8"	1 3/4"	16376	
3/4	1/4"	3 13/16"	2 1/8"	1 3/4"	16378	
1	1/4"	4 1/16"	2 5/8"	2 7/8"	16380	
1 1/4	1/4"	4 1/16"	2 5/8"	2 7/8"	16382	
1 1/2	3/8"	5 11/32"	3 3/4"	3 1/4"	16385	
2	3/8"	5 11/32"	3 3/4"	3 1/4"	16388	

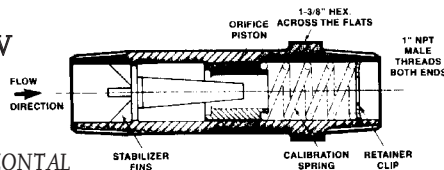


METER BOX & LID



METER SETTER

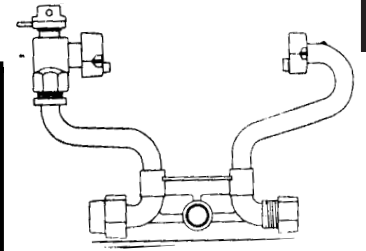
E-Z VIEW RATE-OF-FLOW METERS



VERTICAL OR HORIZONTAL

Media (Piston Type)	Flow Range	MODEL NUMBER				
		3/4" or 1" Nominal Brass Sweat Ftgs	1" Nominal PVC ² Sweat Fitting	1" ³ Male NPT Poly	3/4" Male NPT Ftgs	1/2" Female NPT Ftgs
Oil (Standard Piston)	0.5-4 GPM	-	628-104	621-104	625-104	624-104
	1.0-7 GPM	-	628-107	621-107	625-107	624-107
	.876 Sp. Gr. 1.0-10 GPM	-	628-110	621-110	625-110	624-110
	1.0-16 GPM	-	628-116	621-116	625-116	624-116
	3.0-18 GPM	-	628-118	621-118	625-118	-
	4.0-28 GPM	-	628-128	621-128	625-128	-
Water (Standard Piston)	.05-4 GPM	620-004	628-004	621-004	625-004	624-004
	1.0-7 GPM	620-007	628-007	621-007	625-007	624-007
	1.0 Sp. Gr. 1.0-10 GPM	620-010	628-010	621-010	625-010	624-010
	1.0-16 GPM	620-016	628-106	621-016	625-106	624-016
	4.0-18 GPM	620-018	628-108	621-018	625-018	-
	4.0-28 GPM	620-028	628-028	621-028	625-028	-
Water (Ribbed Piston)	1.5-7 GPM	620-307	628-307	621-307	625-307	624-307
	3.0-10 GPM	620-310	621-310	621-310	625-310	624-310
	1.0 Sp. Gr. 3.0-17 GPM	620-316	628-316	621-316	625-316	624-316
	4.0-24 GPM	620-324	628-324	621-324	625-324	-
Hex	-	1.5"	1.5"	1.125	1.5"	1.5"
Length In (MM)	-	7.8"	8.5"	5.3"	8.3"	7.8"
		198 MM	216 MM	135 MM	211MM	198 MM
Weight	-	13 oz.	5 oz.	3 oz.	1 lb.	1 lb.

¹ Fits 3/4" Nominal (7/8" OD) or 1" nominal (1-1/8" OD) Type M Copper Tubing
² (1.315 OD and 0.935 ID) for use with Schedule 40, 80 & 120 PVC Pipe Fittings
³ DO NOT use pipe dope. Use teflon tape only.



METER YOKE

CALL DUFF COMPANY WITH THE NAME OF YOUR WATER COMPANY - WE WILL QUOTE YOU ON EXACT SPECIFICATIONS THAT ARE REQUIRED!

DUFF CO. REGULATORS-BACKFLOW PREVENTERS-METERS

FLO-METERS

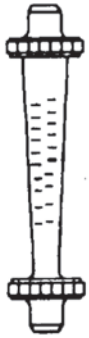


FIG. NO.	FLOW RATE	PIPE SIZE	PRICE
—	.025 to .250	3/8" MPT	
—	.025 to .250	1/2" MPT	
—	.1 to 1	3/8" MPT	
—	.1 to 1	1/2" MPT	
—	.2 to 2	3/8" MPT	
—	.2 to 2	1/2" MPT	
—	.5 to 5	3/8" MPT	
47780	.5 to 5	1/2" MPT	
—	1 to 10	3/4" MPT	
—	3 to 30 gph	3/8" MPT	
—	3 to 30 gph	1/2" MPT	
—	5 to 60 gph	3/8" MPT	
—	5 to 60 gph	1/2" MPT	

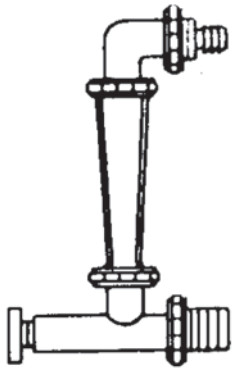
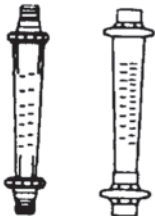


FIG. NO.	FLOW RATE	PIPE SIZE	PRICE
—	.025 to .250	3/8" MPT	
—	.025 to .250	1/2" MPT	
—	.025 to .250	1/2" ID Barb	
—	.1 to 1	3/8" MPT	
—	.1 to 1	1/2" MPT	
—	.1 to 1	1/2" ID Barb	
—	.2 to 2	3/8" MPT	
—	.2 to 2	1/2" MPT	
—	.2 to 2	1/2" ID Barb	
—	.5 to 5	3/8" MPT	
—	.5 to 5	1/2" MPT	
—	.5 to 5	1/2" ID Barb	
—	1 to 10	1/2" MPT	
—	1 to 10	3/4" MPT	
—	1 to 10	1/2" ID Barb	
—	1 to 10	5/8" ID Barb	

61546-61553



61554-61556

61557 to 61562



FIG. NO.	FLOW RATE	PIPE SIZE	PRICE
—	.1 to 1	3/8" FPT	
—	.1 to 1	1/2" MPT	
—	.2 to 2	3/8" FPT	
61549	.2 to 2	1/2" MPT	
—	.5 to 5	3/8" FPT	
—	.5 to 5	1/2" MPT	
—	.5 to 5	3/4" MPT	
61553	1 to 10	3/4" MPT	
—	1 to 10	1" FPT	
71217	2 to 20	1" FPT	
—	3 to 30	1" FPT	
61556	4 to 40	1" FPT	
—	2 to 20	2" FPT	
—	6 to 60	2" FPT	
—	10 to 80	2" FPT	
61560	5 to 100	2" FPT	
61561	15 to 130	2" FPT	
—	20 to 230 SCFM	2" FPT	

SIOUX CHIEF RETROFIT LAUNDRY BOX HAMMER ARRESTOR



- Piston-type water hammer arrestor
- 304 stainless steel arrestor body
- 3/4" female hose thread on branch
- 3/4" male hose thread on trunk

WATER HAMMER ARRESTOR

The noise from banging pipes is caused by shocks of high speed water flowing in the piping system when a fixture is suddenly closed. Sudden stoppage of the water (a non-compressible liquid) flowing at a given pressure and velocity causes a surge or spike of water and is called water hammer. When this occurs a pressure wave travels back through the piping until it finds a point of relief. Dishwashers, clothes washers, fast closing positive shut off valves incorporated in the system, all contribute to creating water shock which is not only annoying but damaging to pipes and appliances. The Watts No. 15 Series incorporates a permanent pre-charged sealed air chamber to absorb the shock. The sealed chamber prevents the loss of air to the water and insures long and trouble free life. All potential leak points are permanently sealed.

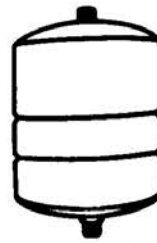


NPT CONN	AIR PRE-LOAD PSI	DIMENSIONS		FIXTURE UNITS	FIG. NO.
		A	B		
1/2"	60	5 1/2"	1 7/16"	1-11	55131
3/4"	60	7 1/2"	1 7/8"	12-32	51666
1"	60	8 1/8"	2 3/16"	33-60	55135

SIOUX CHIEF MINI-RESTOR PEX



SIZE	FIG. NO.
3/8"	278627
1/2"	—
3/4"	—



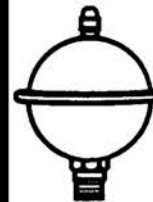
THERM-X-TROL Thermal Expansion Tank

Steel shell Polypropylene liner
Butyl diaphragm
Max operating pressure=200°F Standard factory precharge 40 PSIG

For use with potable water heaters only. Therm-X-Trols are pressurized, diaphragm-type expansion tanks designed to accept the expansion of water created when a storage tank is heated, keeping the system pressure below the relief valve setting.

FIG. NO.	MAX PSIG	TANK VOL	SYS CONN	DIA
43561	150	2.0	3/4"	8
38696	150	4.4	3/4"	11
49699	150	10.3	1	15 3/8

OTHER TANK VOLUMES AVAILABLE



MINI-TROL shock suppressor. Max working pressure=150 PSIG. Max shock pressure=200 PSIG. Max operating temp=200°F. Max velocity=10 FPS Total Volume=10 cu. inc. Precharge pressure=22 PSIG.

FIG. NO.	HIGHT	WIDTH	SYS CONN
5721	4-1/2"	3-3/8"	1/2"



MINI CHAMBER Designed for single fixture use

Copper cylinder
Spun-closed seamless chamber (1.4" cu. vol.)
Max operating temperature=250°F.
Arrestor length 4 1/4" not including fitting
Permanently sealed 60 PSI pressure charge.

An acetal piston with three EPDM O-rings separates a 60 psi pre-pressurized, captured air cushion from system water in a seamless type L copper chamber. The mini chamber arrestor is available with various system connections in individually packaged film-wrapped cards or bulk packed in cartons.

SIZE	FIG. NO.
3/8"	—
1/2"	—

How to Order

Submit your order online

or

email info@duffco.com

Be sure to include

product numbers

descriptions

quantities

Don't forget to include your name!

DUFF SUPPLY COMPANY

WATER TREATMENT EQUIPMENT - PUMPS - PLUMBING - HEATING - INDUSTRIAL SUPPLIES - PUMPS
 STEAM SPECIALTIES - PIPE - VALVES - FITTINGS - SOFTENERS - FILTERS
 201 EAST LAFAYETTE STREET, P.O. BOX 618, NORRISTOWN, PA 19401
 PHONE: 610-275-4453 FAX: 610-279-6299



SOLD TO:	SHIP TO:

YOUR NAME: _____ PURCHASE ORDER NO. _____
 TODAY'S DATE: _____ REQUIRED DATE: _____

QTY	FIG. NO.	DESCRIPTION	PRICE/EA	TOTAL



TERMS: NET - 10TH OF MONTH FOLLOWING PURCHASE
 WE WILL PREPAY AND ADD FREIGHT FOR ALL ORDERS SHIPPED UPS OR COMMON CARRIER

All accounts are to be paid in full to Duff Supply Company monthly by the tenth (10th) day of the month following invoice date, a 1% service charge and a 1% interest charge will be made on any balance open at the end of the month following invoice, and in the event that legal action or lien be undertaken, or the service of a collection agency are used to collect this account, the customer shall pay all expenses incurred by Duff Supply Company, such as, but not limited to, costs and collection, legal and lien fees.

QTY	FIG. NO.	DESCRIPTION	PRICE/EA	TOTAL



*Thank You
for your business!*



Contact name _____ Contact Date _____

	<h2 style="margin: 0;">DUFF COMPANY</h2> <p style="margin: 0;">201 East Lafayette Street Norristown, PA 19401</p> <p style="margin: 0;">Phone: 610-275-4453 Fax: 610-279-6761</p>	
---	---	---

Legal Name _____

Name in which business is conducted _____

Billing Address _____

City _____ State _____ Zip _____

Purchasing Phone _____ A/P Phone _____ Fax _____



Principal's Name _____

Principal's Address _____

City _____ State _____ Zip _____

Phone (Office) _____ (Cell) _____ E-mail address _____

Website address (If applicable) _____

Primary Contact _____ Title _____



SHIPPING ADDRESS - IF DIFFERENT

Shipping Address _____ Phone _____

City _____ State _____ Zip _____

Tax Exempt Number _____ Provide a copy of Certificate. We CAN NOT set up a Tax Exempt Account without certification.



TYPE OF BUSINESS

Plumbing _____ Pumps _____ Heating _____ Municipality _____ Hotel or Apts. _____ Well Drilling _____
Hospital _____ Factory (OEM) _____ Factory (Mtn) _____ Office Building _____ Shopping Center _____
Golf Course _____ Water Treatment _____ Environmental _____ Other (Please name) _____

Have you been contacted by one of our salesman? _____ Name _____

If YES, please explain _____

Name of person authorized to pick up _____

D&B Rating _____ Check one: Corporation _____ Partnership _____ Individual Proprietor _____

If division of another company, name parent company and relationship _____

DUFF COMPANY

201 East Lafayette Street, Norristown, PA 19401

TRADE REFERENCES

Name _____ Type of business _____

Address _____

City _____ State _____ Zip _____

Phone _____ Fax _____



Name _____ Type of business _____

Address _____

City _____ State _____ Zip _____

Phone _____ Fax _____



Name _____ Type of business _____

Address _____

City _____ State _____ Zip _____

Phone _____ Fax _____



Bank reference _____

Branch Address _____

City _____ State _____ Zip _____

Branch officer who handles account _____

In consideration of your opening the above account and/or extended credit, the undersigned hereby agrees that all information supplied in this application is correct, that all accounts are to be paid in full to Duff Company monthly by the tenth day of the month following the invoice date, that a 1% service charge and a 1% interest charge will be made on any balance open at the end of the month following invoice date, and that in the event that legal action or lien be taken, or the service of a collection agency are used to collect this account, the undersigned shall pay all expenses incurred by the Duff company, such as, but not limited to, collection fees, costs and legal fees.

Applicant (Name of Account) _____

By _____ Title _____

The undersigned _____ and _____
for good and valuable consideration, hereby jointly, severally and personally unconditionally guarantee, warrant and promise the full and prompt (within terms) payments of all bills and other obligations (as set forth above) of the applicant in connection with any credit extended to the applicant by Duff Company.*

Principal _____ Witness _____ Principal's Spouse _____ Witness _____

Principal _____ Witness _____ Principal's Spouse _____ Witness _____

We routinely fax invoices to our customers. Please provide a fax number where we can send invoices _____

PLEASE FAX FORM TO 610-275-6761

*As appropriate, we may also require the guarantee of a principal and, in some cases, the principal's spouse.

For Duff Company Use Only

Credit Limit: _____ Contact: _____ Certificate Recd: _____

Tax Jurisdiction: _____ General Manager: _____ Type: _____

Salesman: _____ Class: _____ Controller: _____

Date Approved: _____